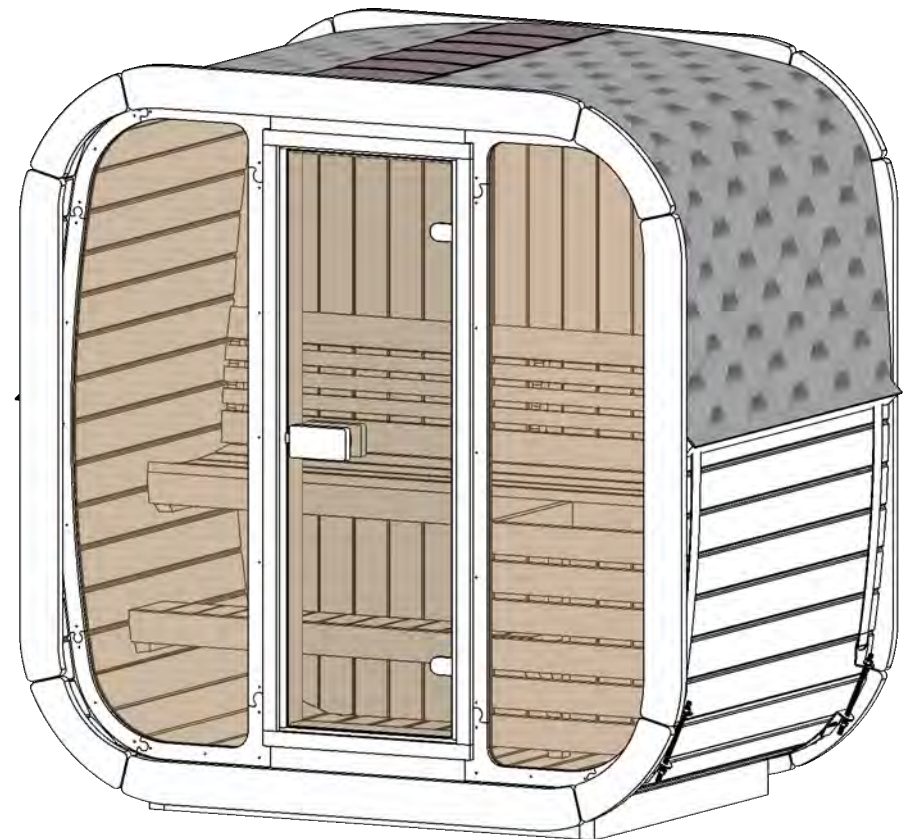
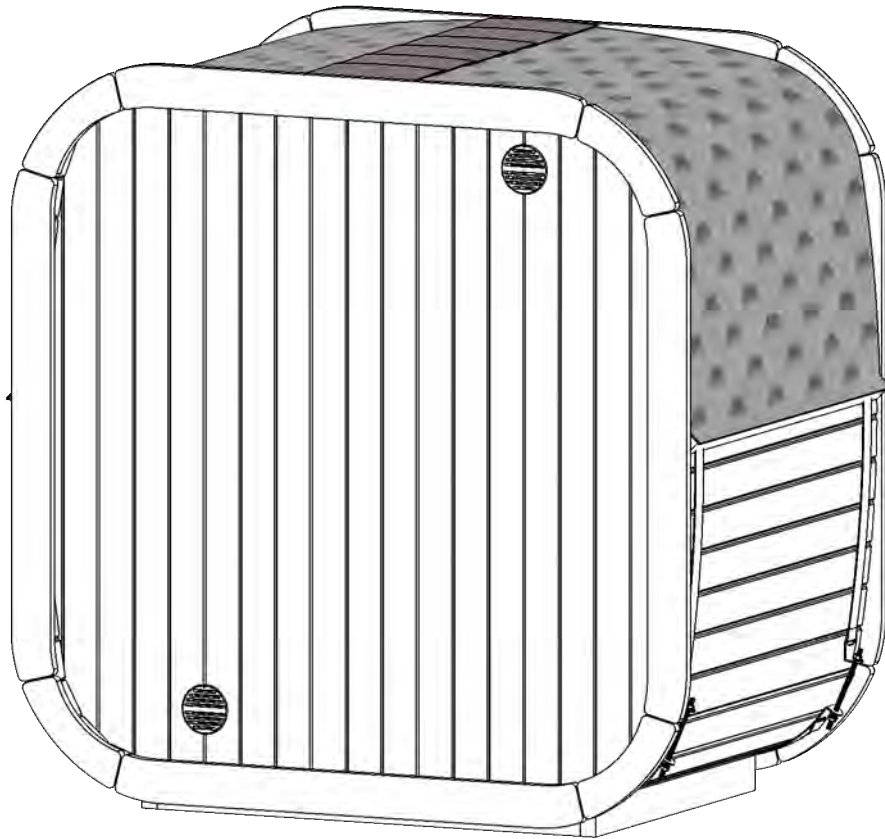


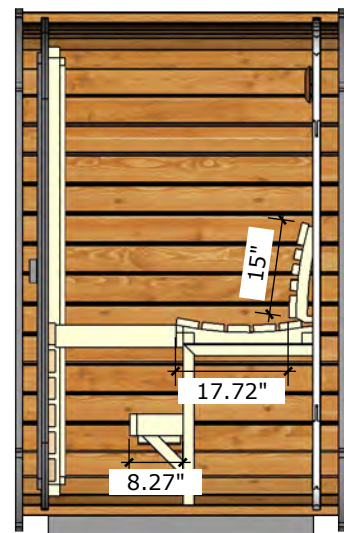
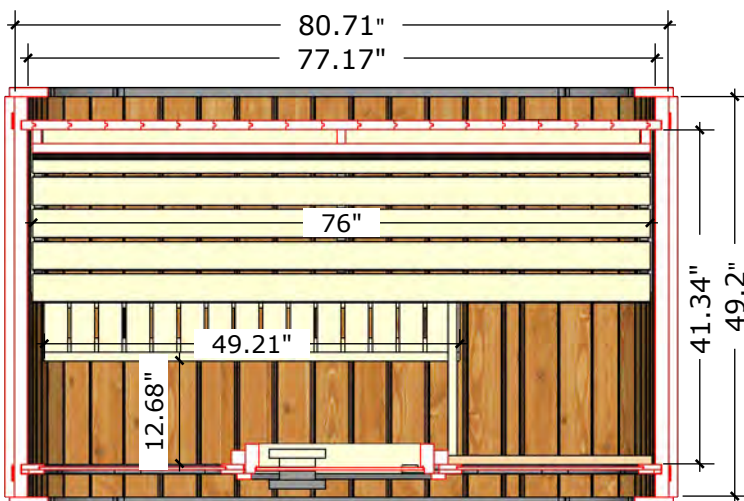
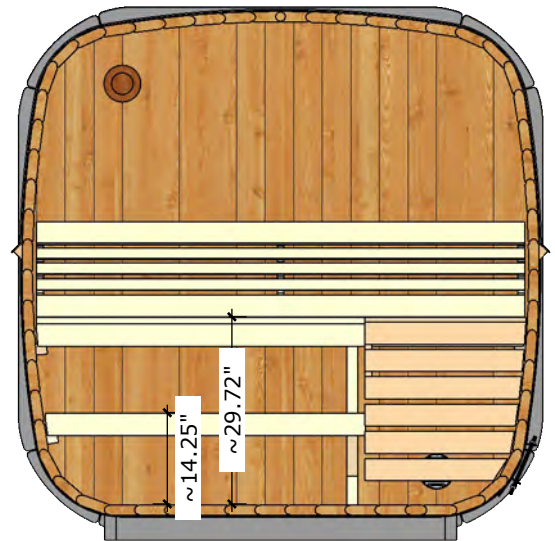
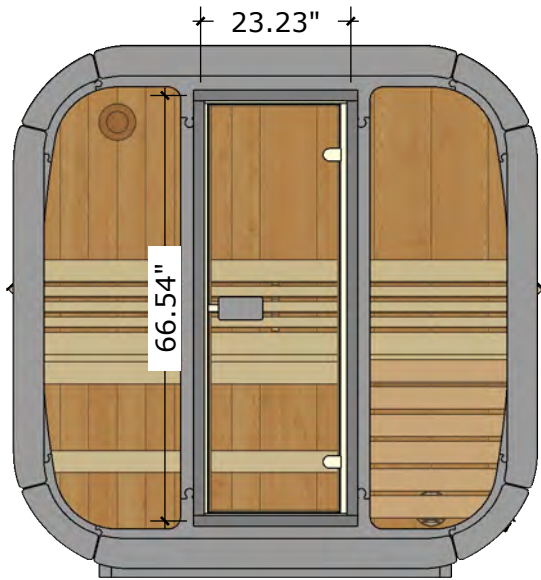
FINSAUNA®

Solara 200GF 50D" x 81W" 83H"

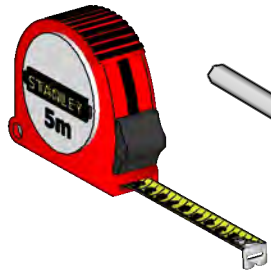


Note: Please read manual before construction

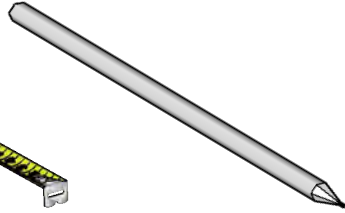
REV: 1.0_10/2024



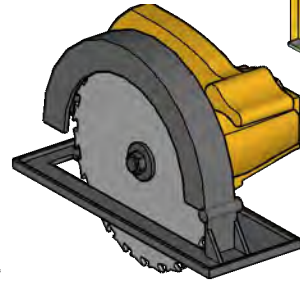
Tools needed



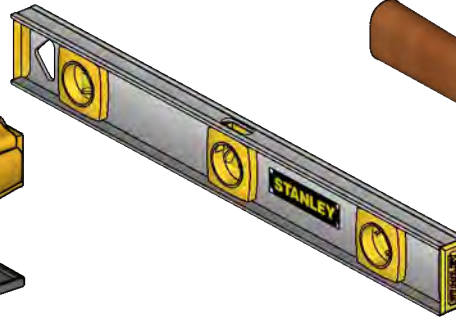
Measuring tape



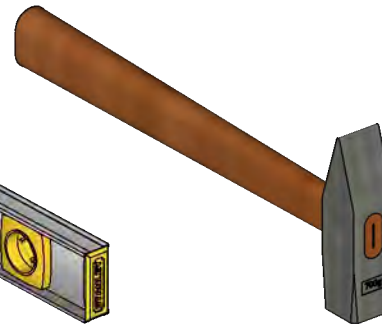
Marker pen



Circular saw



Water level



Hammer



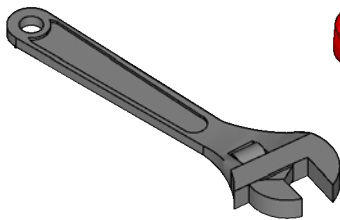
Extra hands



Screwdriver



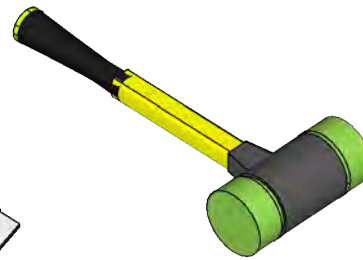
Drill



Crescent wrench



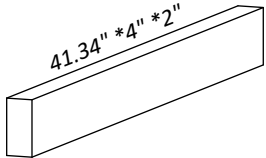

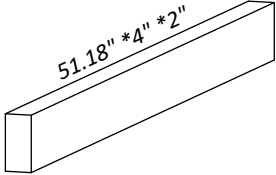

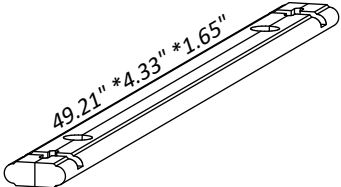

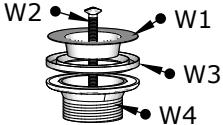
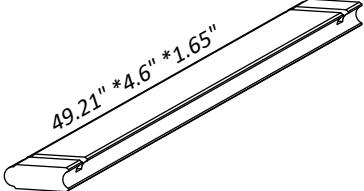

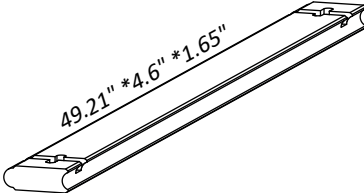

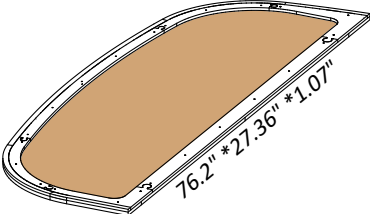
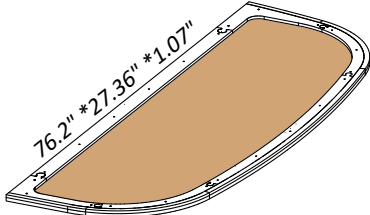
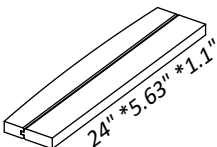

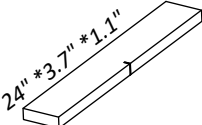
Utility knife

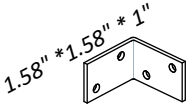
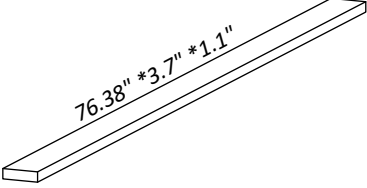
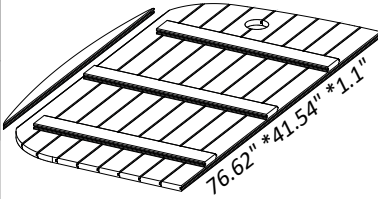
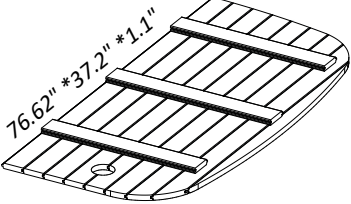
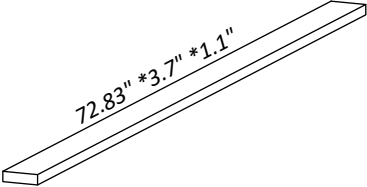
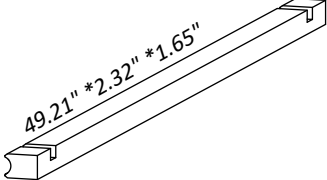
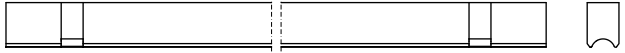
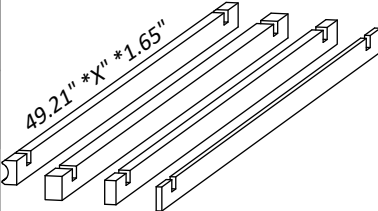
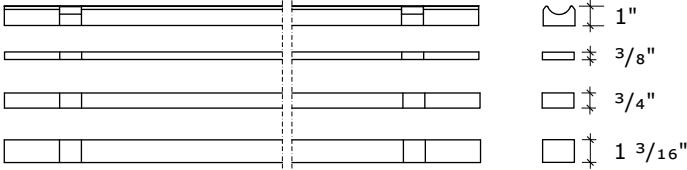
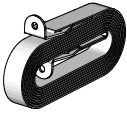
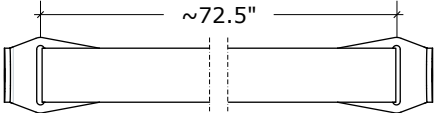
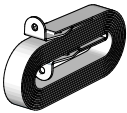
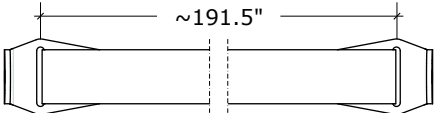




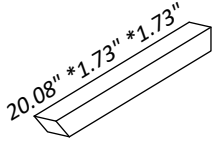
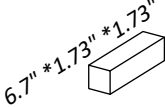
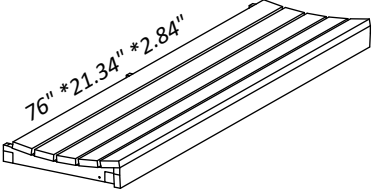
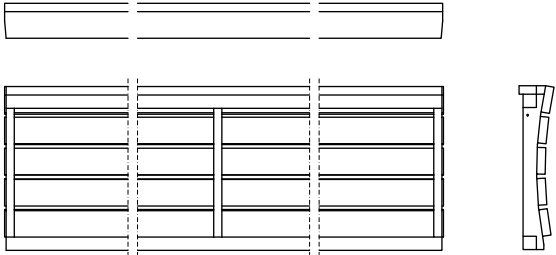
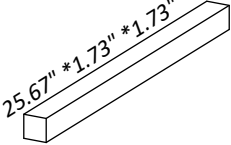
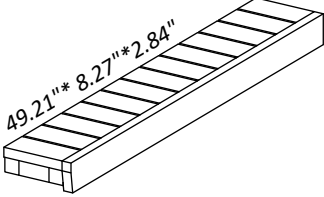
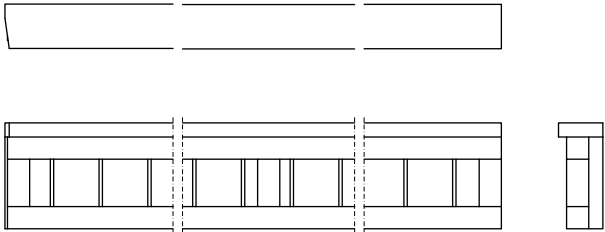
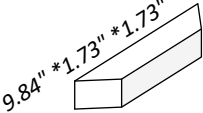
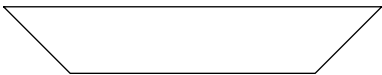
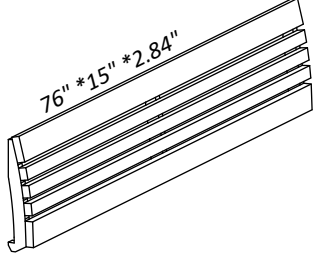
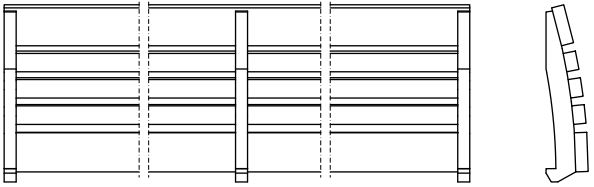
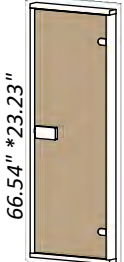
Rubber mallet

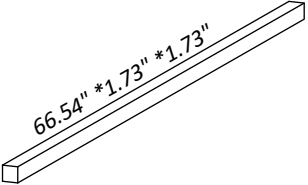
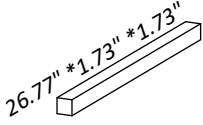
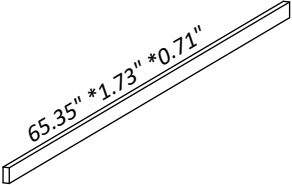
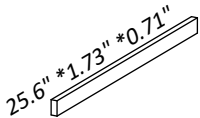
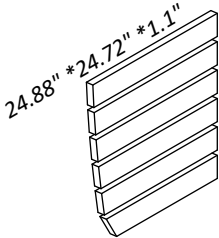
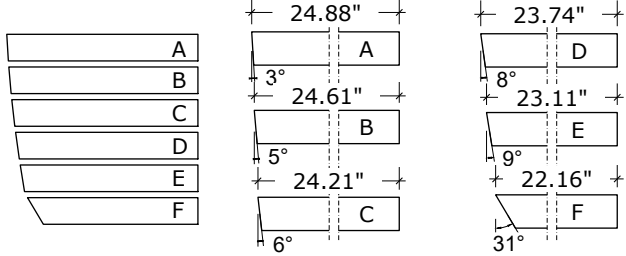
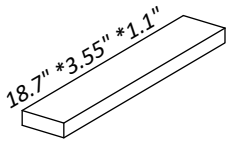
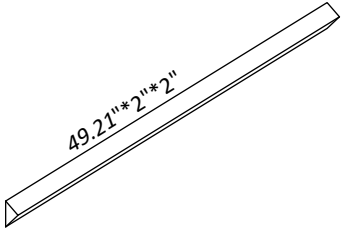
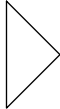
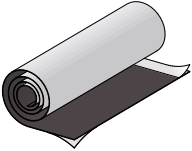
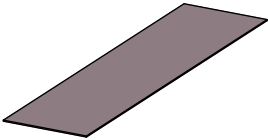
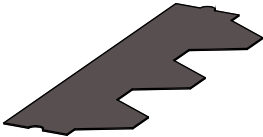


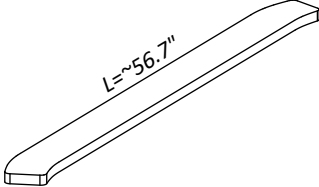

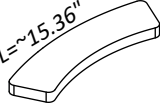

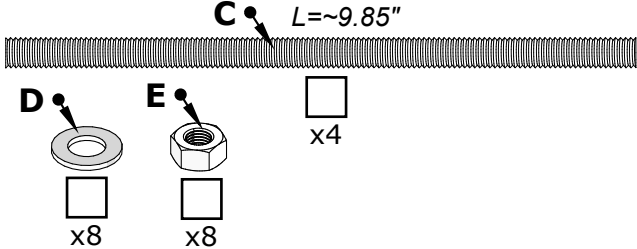
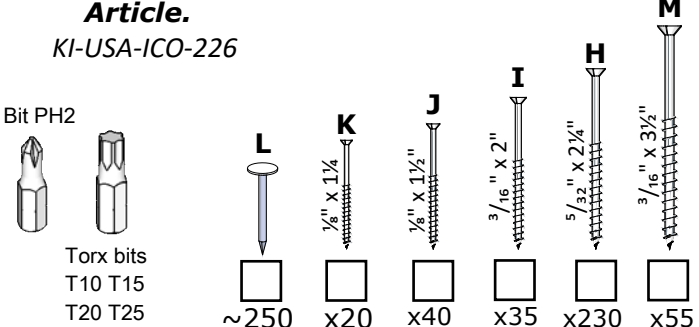
Ratchet strap

<p>DET 1</p> <p>Article. K-SM100/1050</p>	<p>x2</p>	 <p>41.34" * 4" * 2"</p>	
<p>DET 2</p> <p>Article. K-SM100/1300</p>	<p>x3</p>	 <p>51.18" * 4" * 2"</p>	
<p>DET 3</p> <p>Article. T-STL117/1250XLM01</p>	<p>x1</p>	 <p>49.21" * 4.33" * 1.65"</p>	
<p>DET W</p> <p>Article. MU-TRAPP</p>	<p>x2 kmp1</p>		
<p>DET 3</p> <p>Article. T-STL117/1250-01</p>	<p>x64</p>	 <p>49.21" * 4.6" * 1.65"</p>	
<p>DET 3/H</p> <p>Article. T-STL117/1250-01X</p>	<p>x2</p>	 <p>49.21" * 4.6" * 1.65"</p>	
<p>DET Sb</p> <p>Article. IC20-TE-PR-12/15P</p>	<p>x1</p>	 <p>76.2" * 27.36" * 1.07"</p>	
<p>DET Sa</p> <p>Article. IC20-TE-PR-12/15V</p>	<p>x1</p>	 <p>76.2" * 27.36" * 1.07"</p>	
<p>DET Ta</p> <p>Article. T-SL117/610UK1</p>	<p>x1</p>	 <p>24" * 5.63" * 1.1"</p>	
<p>DET Tb</p> <p>Article. T-TL94/610J</p>	<p>x1</p>	 <p>24" * 3.7" * 1.1"</p>	

<p>DET V</p> <p>Article. KI-VIN-25/40/40-ZN</p>	<p>x4</p>		
<p>DET U1</p> <p>Article. K-TL94/1940</p>	<p>x1</p>		
<p>DET Y1</p> <p>Article. T-IC20-PTS/28-V</p>	<p>x1</p>		
<p>DET Y2</p> <p>Article. T-IC20-PTS/28-P</p>	<p>x1</p>		
<p>DET U2</p> <p>Article. K-TL94/1850</p>	<p>x1</p>		
<p>DET 6</p> <p>Article. T-STL117/1250XL-01</p>	<p>x2</p>		
<p>DET 6c/d/e/f</p> <p>Article. T-STL117/1250KO-01</p>	<p>x1</p>		
<p>DET A1</p> <p>Article. MU-VIT1840-KLZN</p>	<p>x2</p>		
<p>DET A2</p> <p>Article. MU-VIT4860-KLZN</p>	<p>x2</p>		
<p>DET G</p> <p>Article. MU-VENT-100-PU</p>	<p>x1</p>		

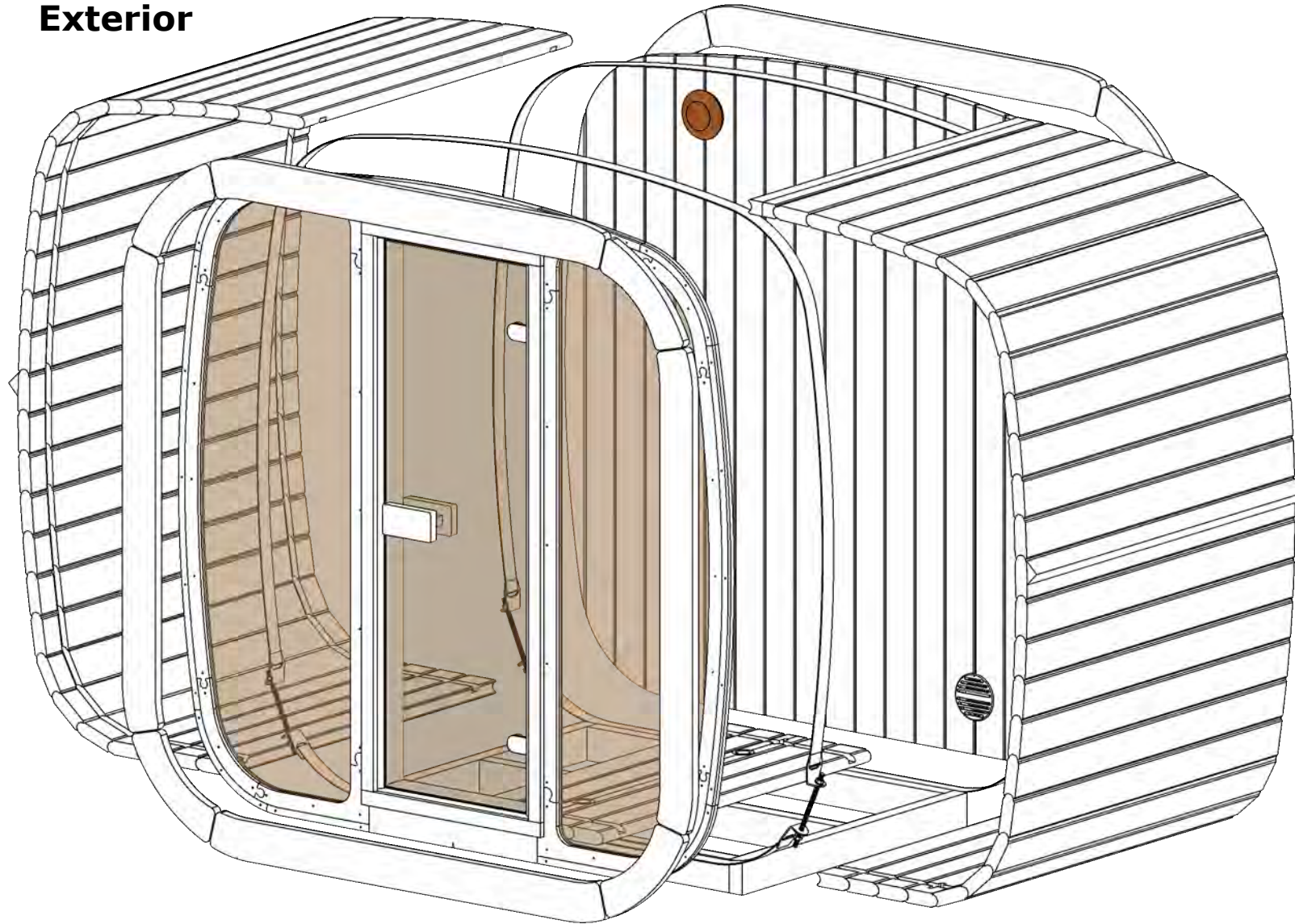
<p>DET F</p> <p>Article. MU-VENT-100-ZN</p>	<p>x3</p>		
<p>DET 10a</p> <p>Article. K-HP44/510XP</p>	<p>x2</p>		
<p>DET 10c</p> <p>Article. K-HP44/170</p>	<p>x1</p>		
<p>DET 10</p> <p>Article. TL-LAMOD-1930-KA01</p>	<p>x1</p>		
<p>DET 10b</p> <p>Article. K-HP44/652</p>	<p>x1</p>		
<p>DET 12</p> <p>Article. TL-LAMOD-1250-01</p>	<p>x1</p>		
<p>DET 12a</p> <p>Article. K-HP44/250XP-XP</p>	<p>x1</p>		
<p>DET 14</p> <p>Article. TL-STMOD-1930-KA01</p>	<p>x1</p>		
<p>DET 21</p> <p>Article. U-KL-6/17-PR</p>	<p>x1</p>		

<p>DET 21c</p> <p>Article. K-HP44/1690</p>	<p>x2</p>		
<p>DET 21d</p> <p>Article. K-HP44/680</p>	<p>x2</p>		
<p>DET 21a</p> <p>Article. K-HL44/1660</p>	<p>x2</p>		
<p>DET 21b</p> <p>Article. K-HL44/650</p>	<p>x2</p>		
<p>DET 16</p> <p>Article. TL-PIMOD-632-01</p>	<p>x1</p>		
<p>DET 15</p> <p>Article. TL-LAV90/475</p>	<p>x1</p>		
<p>DET 22</p> <p>Article. T-STL-1250-XX</p>	<p>x2</p>		
<p>Underlay felt</p> <p>Article. KAT-AL</p>	<p>26'</p>		
<p>DET N</p> <p>Article. KAT-HAR-MUST</p>	<p>x5</p>		
<p>DET O</p> <p>Article. KAT-SIN-MUST</p>	<p>x42</p>		

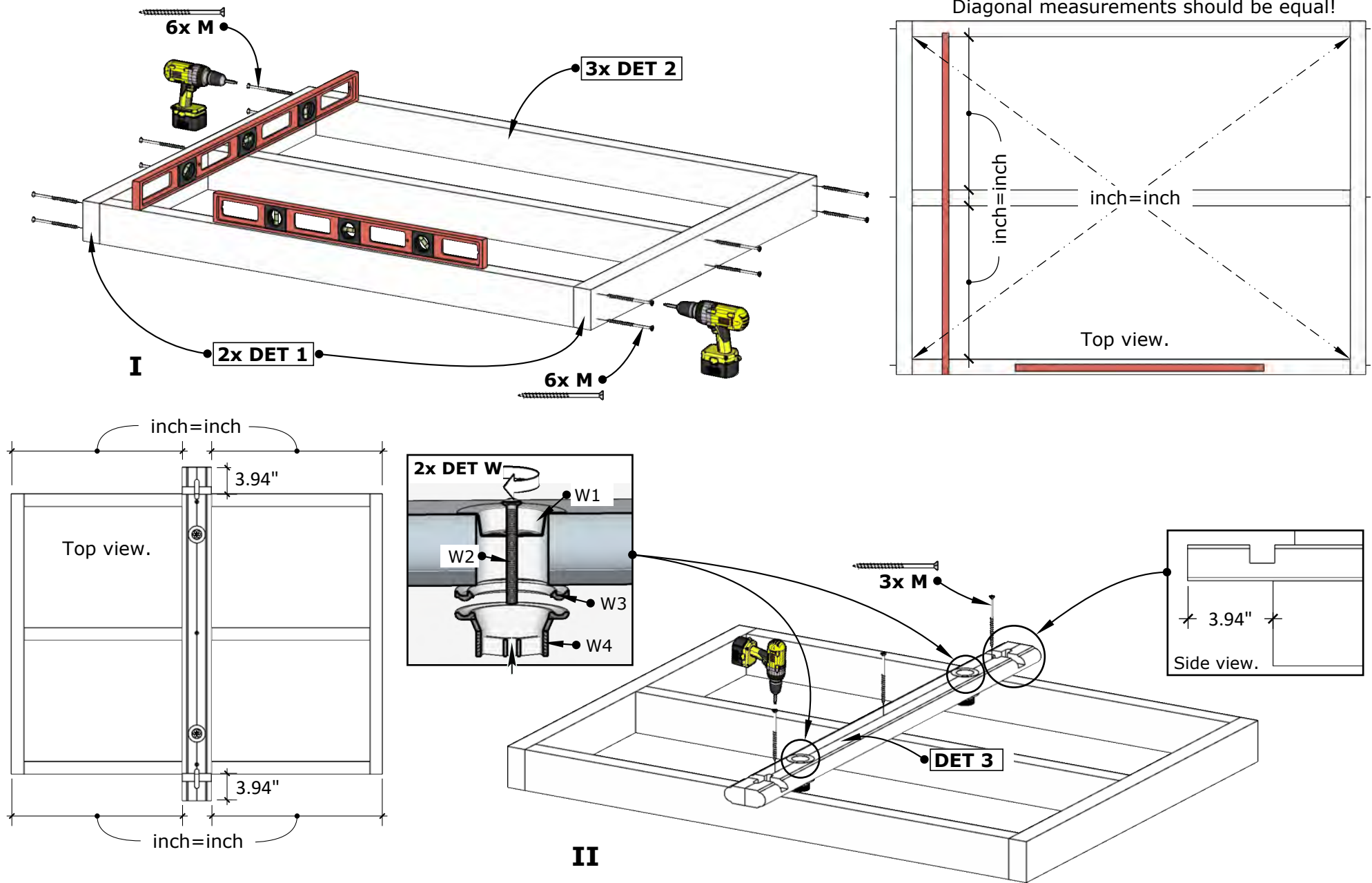
<p>DET 25a</p> <p>Article. MU-OL-IC-20-1</p>	<p>x8</p>	 <p>L ≈ 56.7"</p>	
<p>DET 25b</p> <p>Article. MU-OL-IC-20-2</p>	<p>x8</p>	 <p>L ≈ 15.36"</p>	
<p>Article. KI-KERL-12-RV4</p>  <p>L ≈ 9.85"</p> <p>D x8</p> <p>E x8</p> <p>C x4</p>		<p>Article. KI-USA-ICO-226</p>  <p>Bit PH2</p> <p>Torx bits T10 T15 T20 T25</p> <p>L ~250</p> <p>K 1/8" x 1 1/2" x20</p> <p>J 1/8" x 1 1/2" x40</p> <p>I 3/16" x 2" x35</p> <p>H 5/32" x 2 1/4" x230</p> <p>M 3/16" x 3 1/2" x55</p>	

Solara 200GF 50D" x 81W" x 83H"

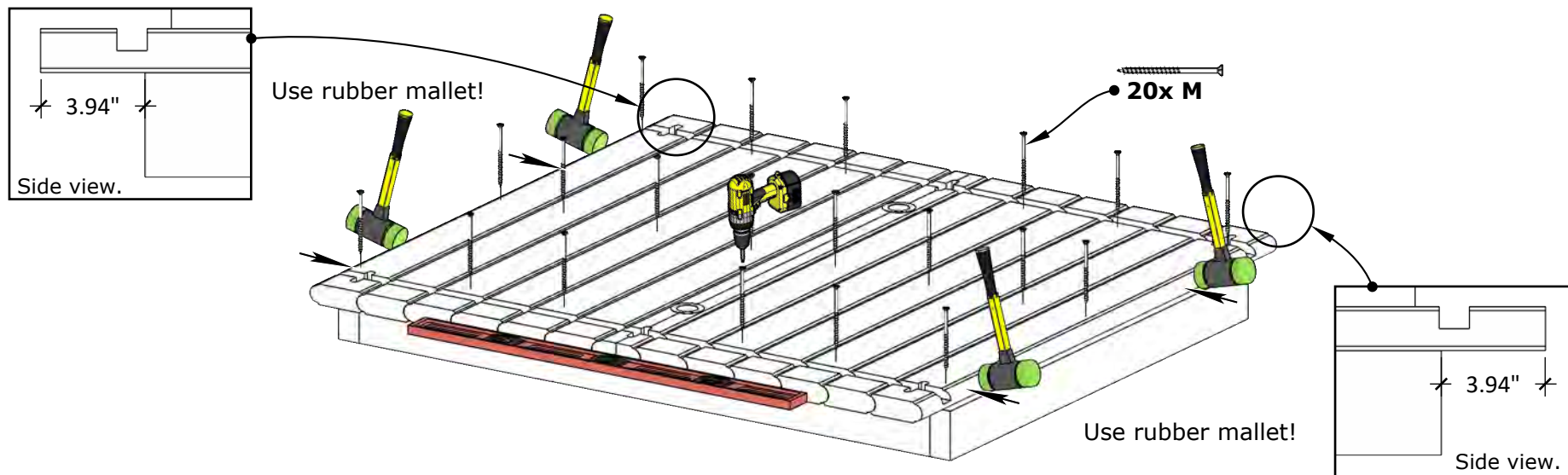
Exterior



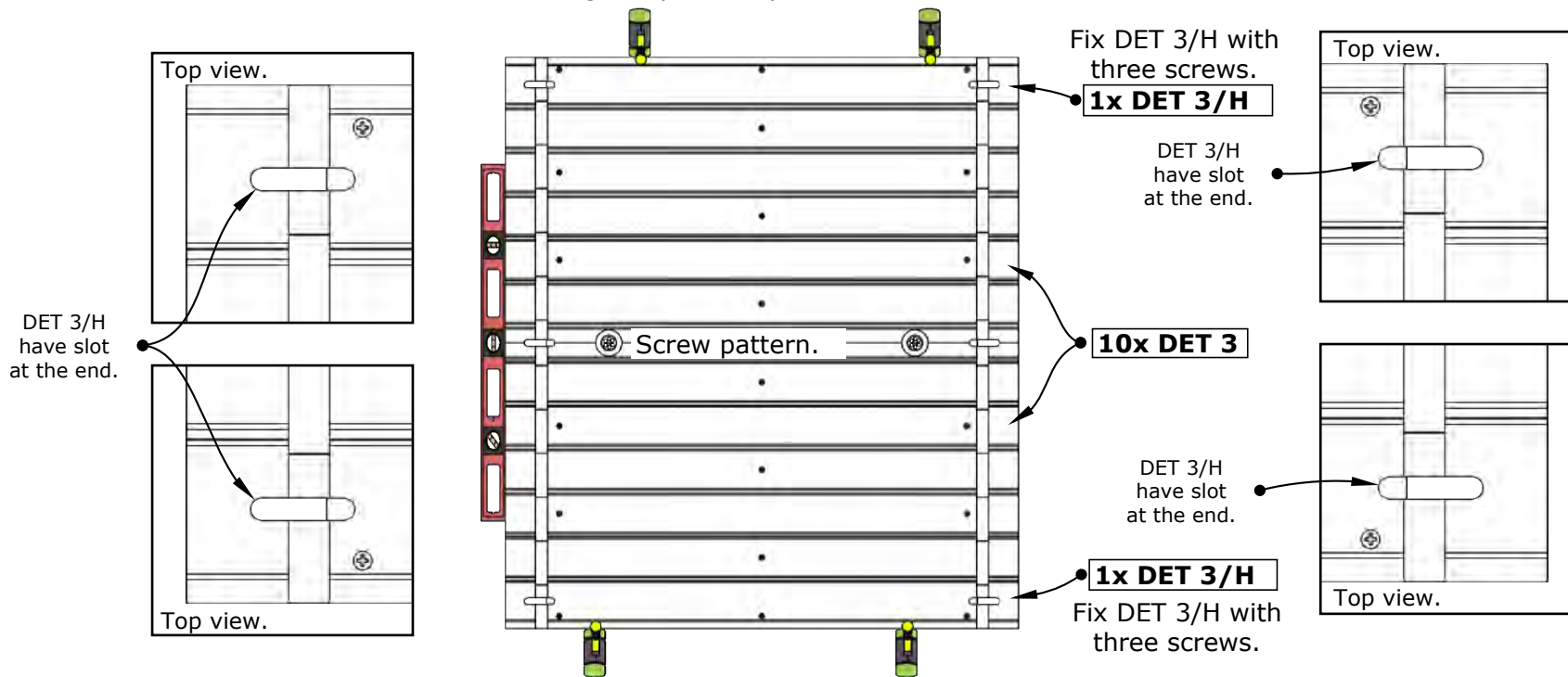
Solara 200GF 50D" x 81W" x 83H"



Solara 200GF 50D" x 81W" x 83H"

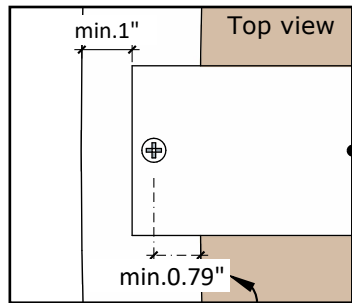
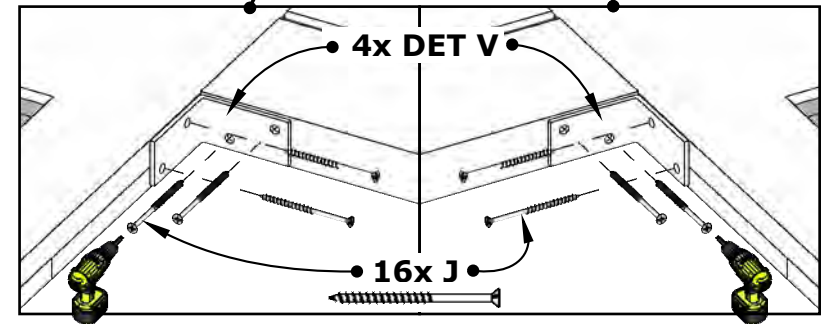
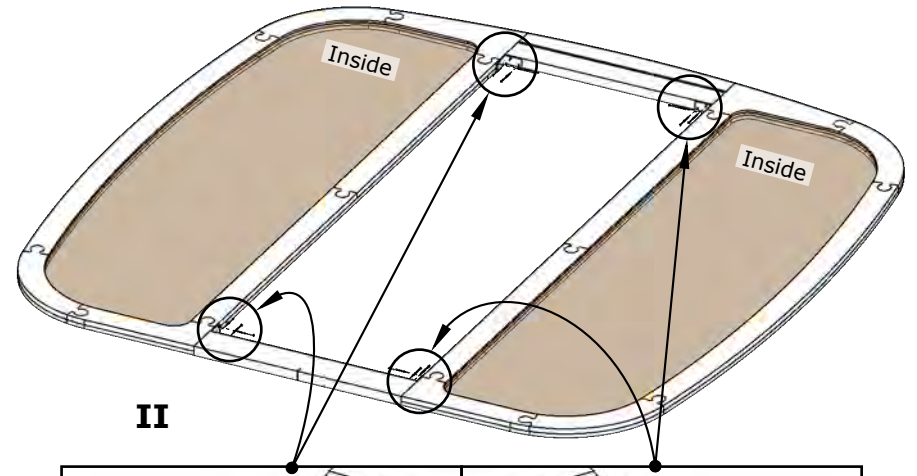
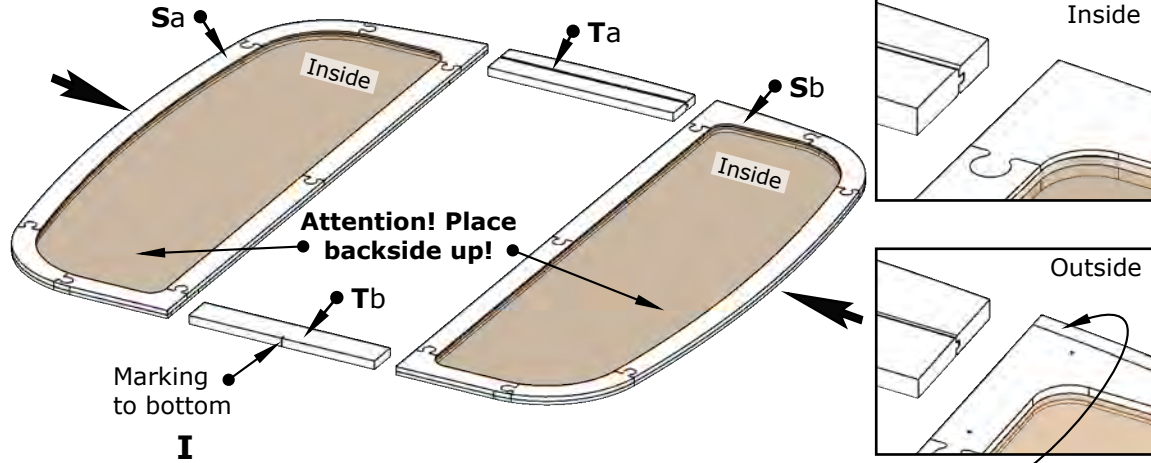


Fix screws over the one board, diagonally in every board.

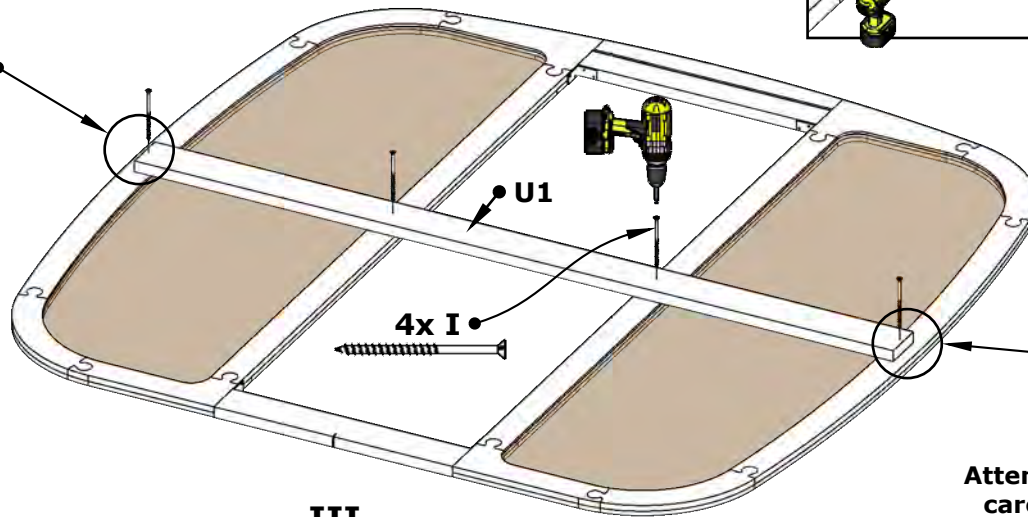


Solara 200GF 50D" x 81W" x 83H"

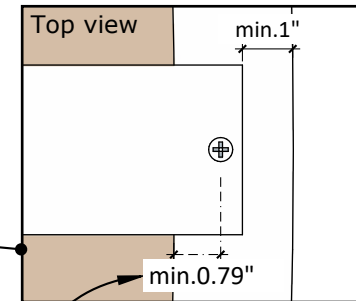
Front glass-wall assembly



Attention! Be extra careful to not hit the glass!!!



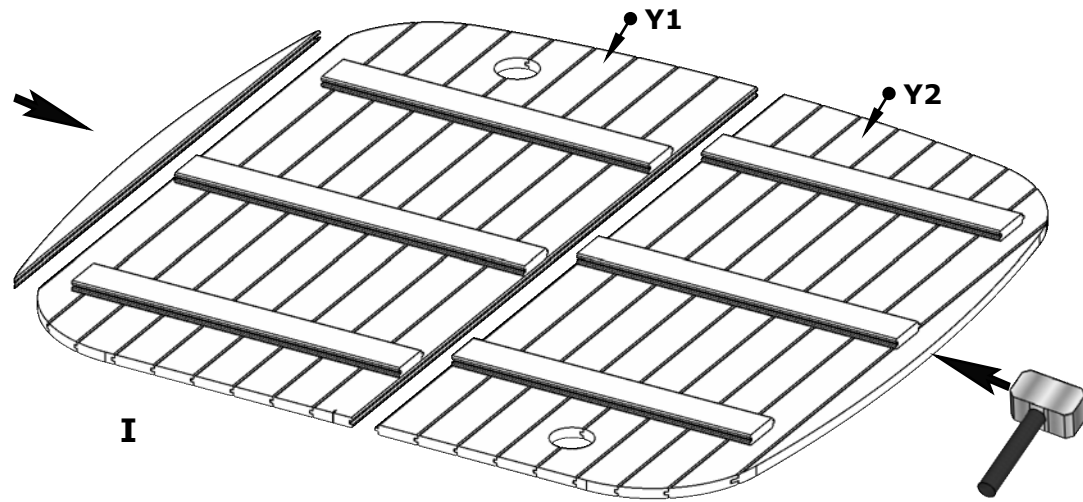
III



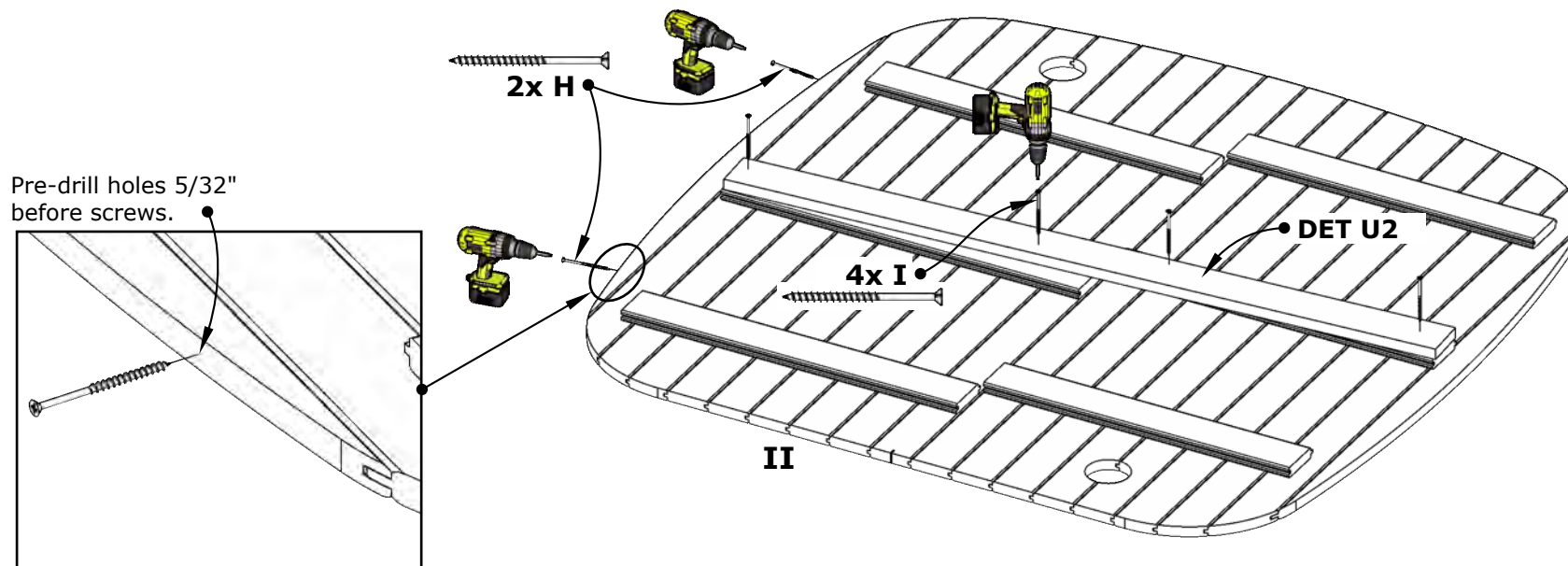
Attention! Be extra careful to not hit the glass!!!

Solara 200GF 50D" x 81W" x 83H"

Wooden back wall assembly



I



Pre-drill holes 5/32"
before screws.

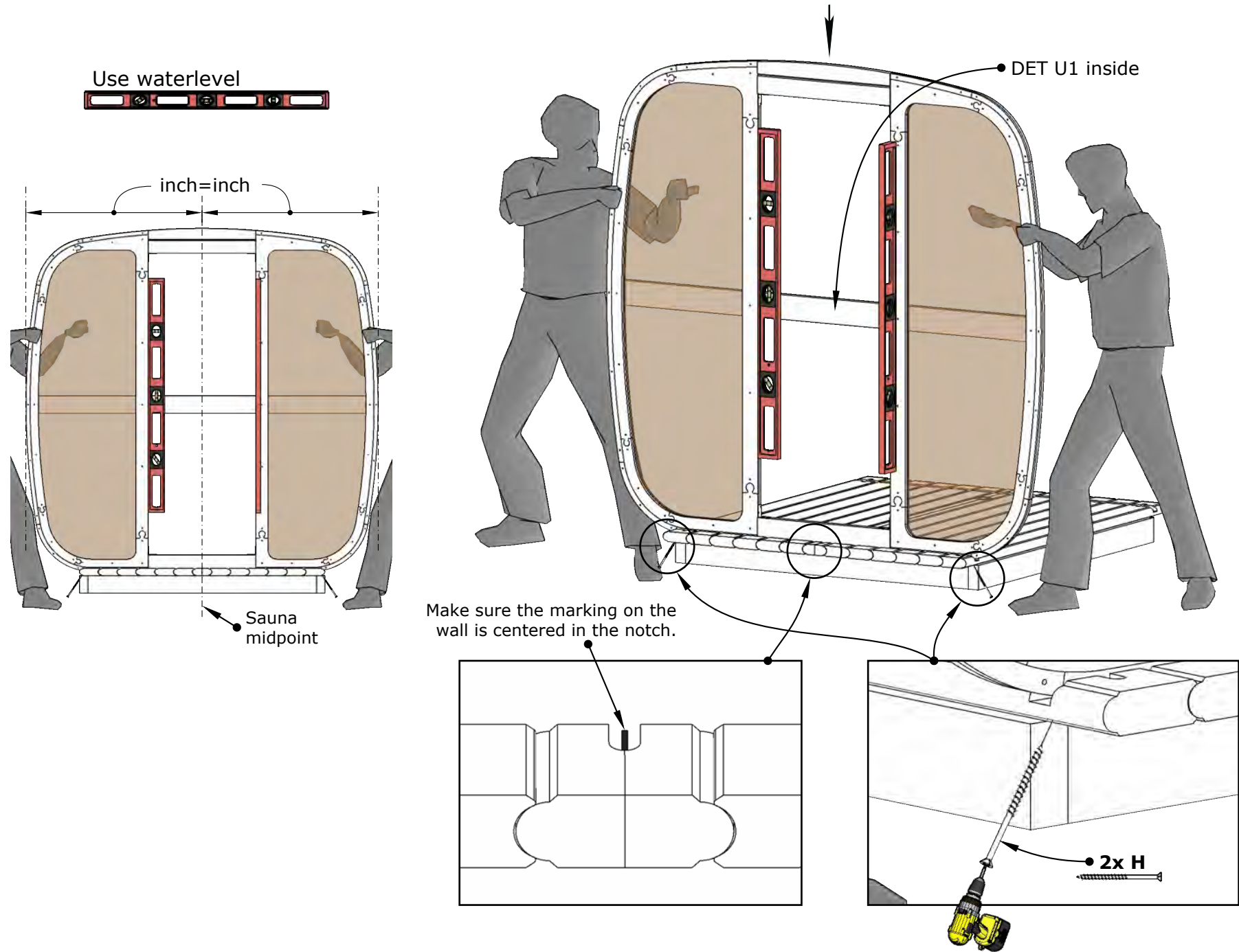
2x H

4x I

DET U2

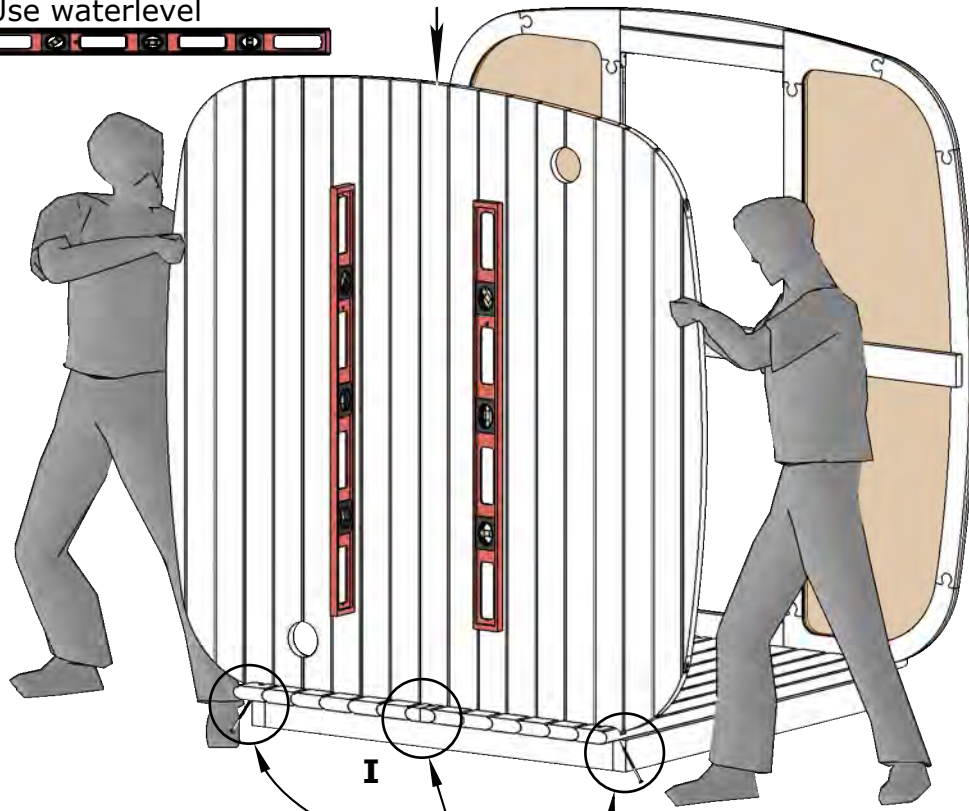
II

Solara 200GF 50D" x 81W" x 83H"

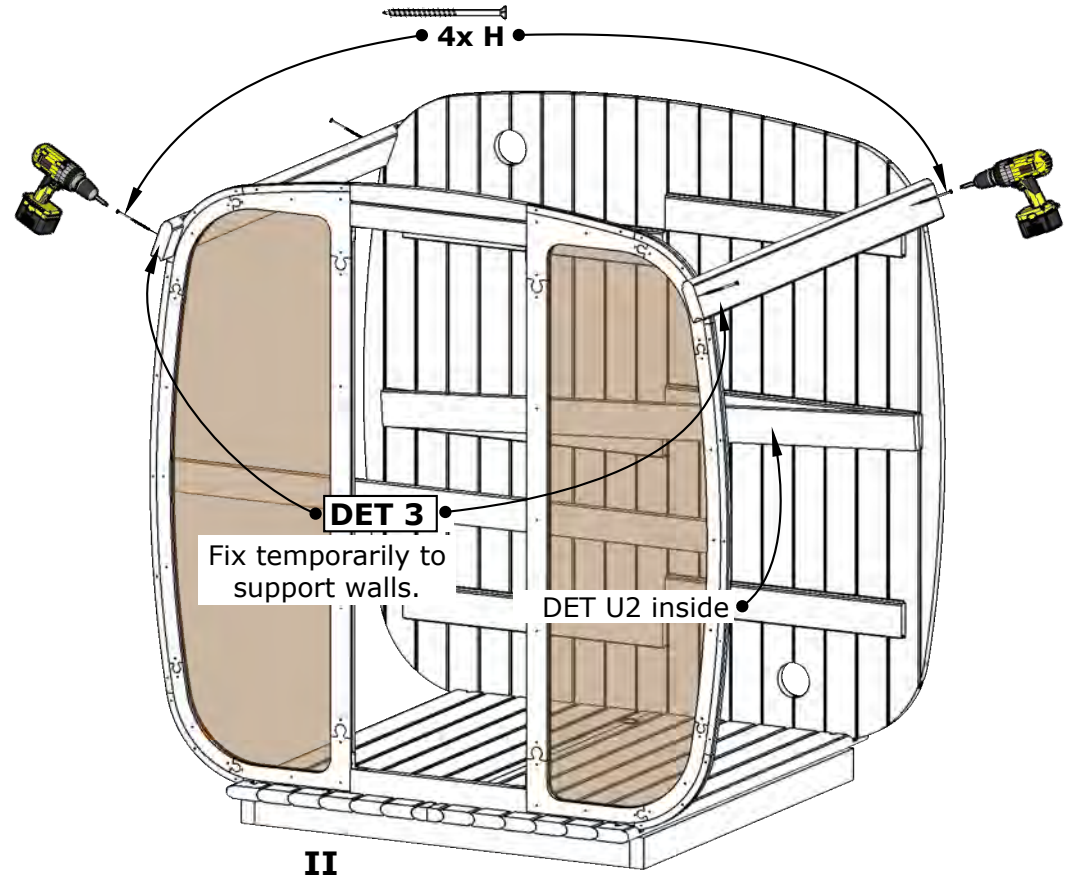
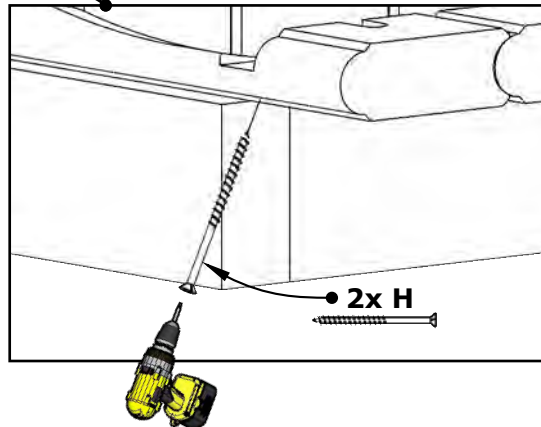
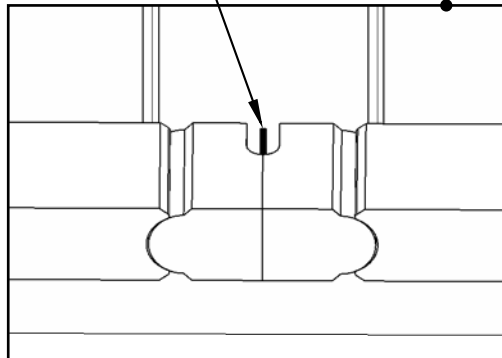


Solara 200GF 50D" x 81W" x 83H"

Use waterlevel



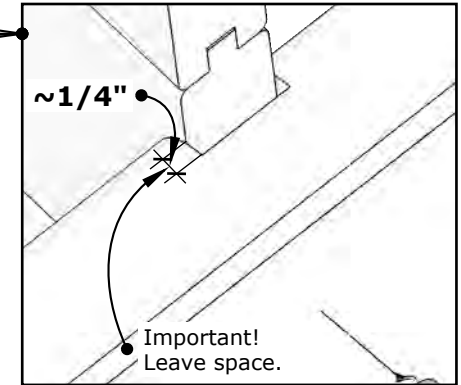
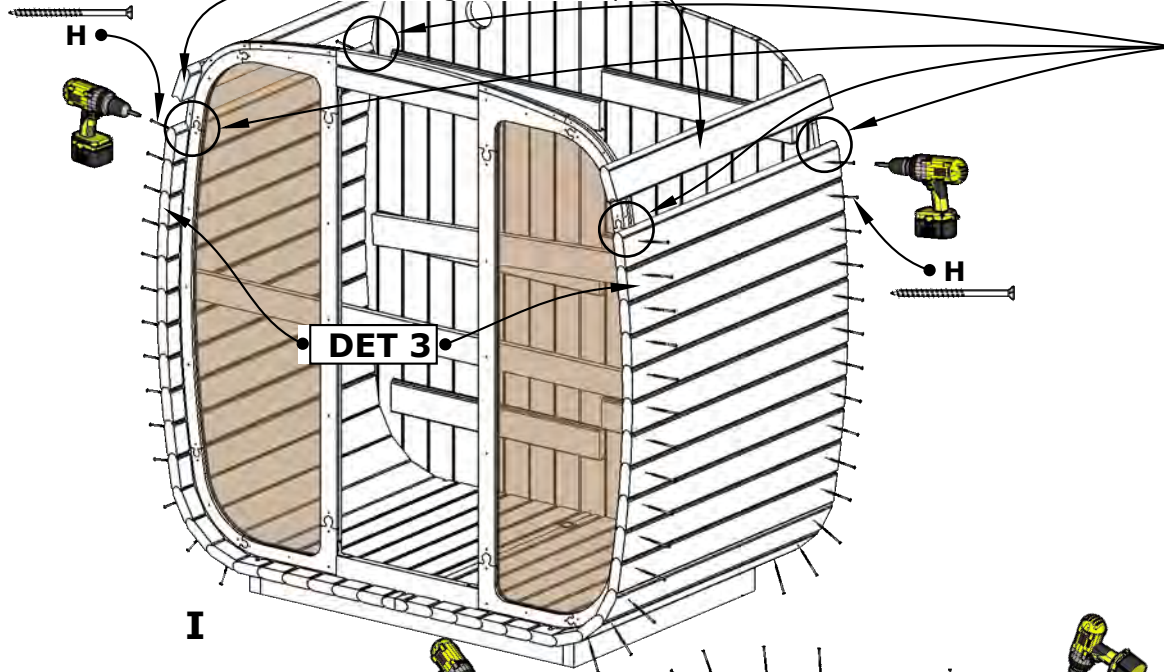
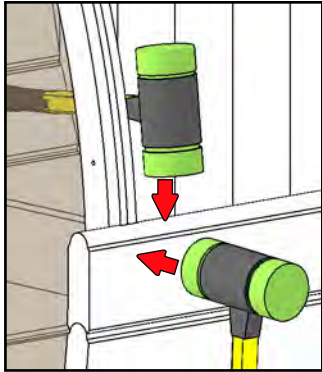
Make sure the marking on the wall is centered in the notch.



Solara 200GF 50D" x 81W" x 83H"

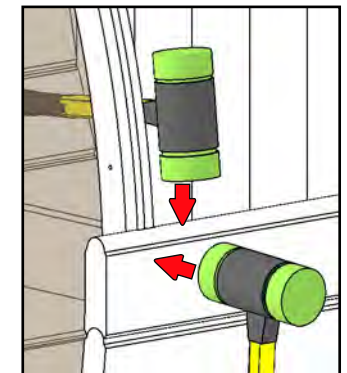
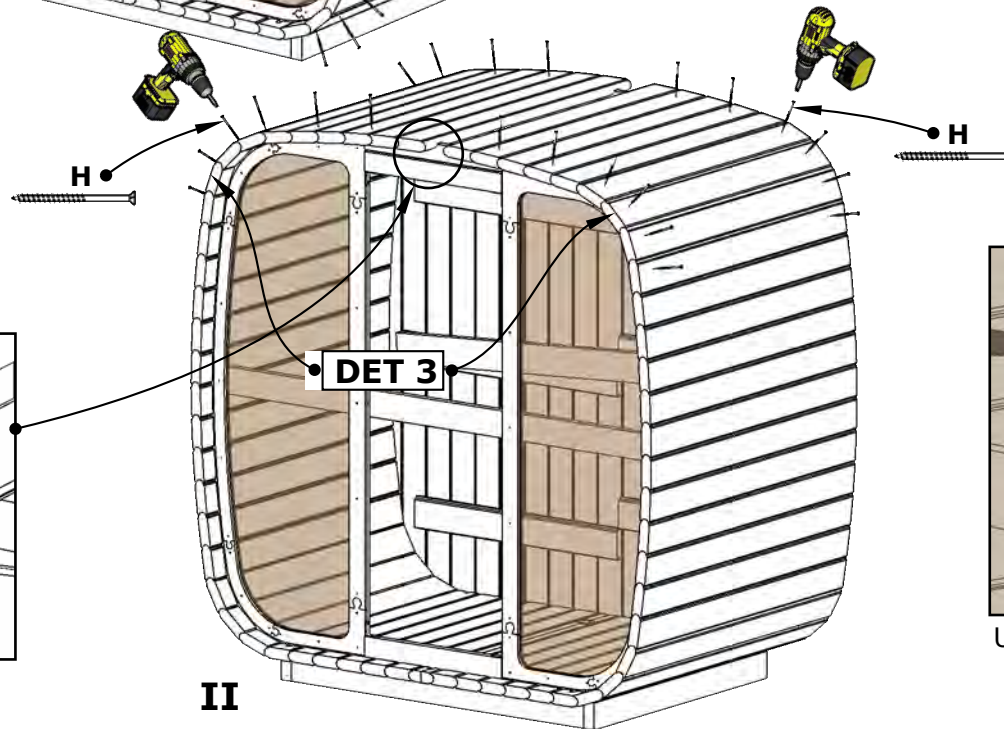
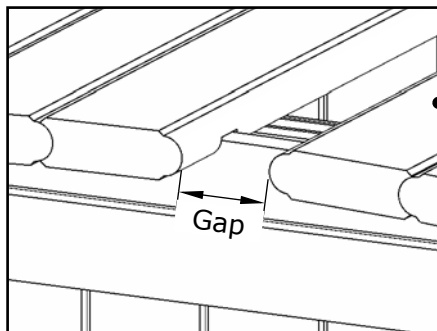
Remove DET 3 from their temporary positions and use during the next step.

Use rubber mallet!



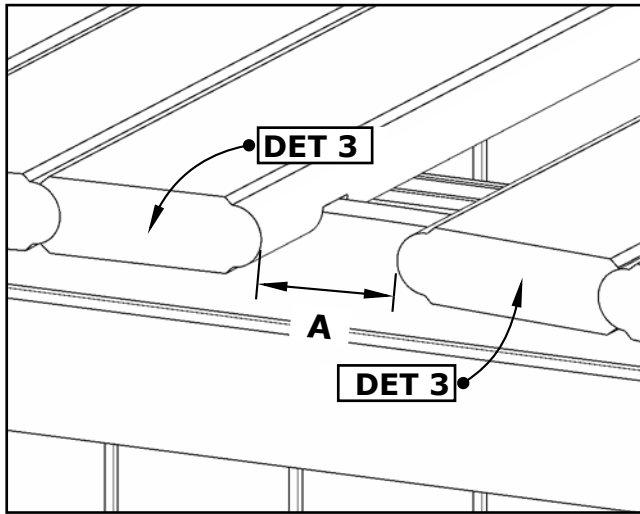
IMPORTANT! Be sure to leave a 1/4" gap when tightening screws to leave room for adjustment when the outer bands (A2) are installed.

See the next page.

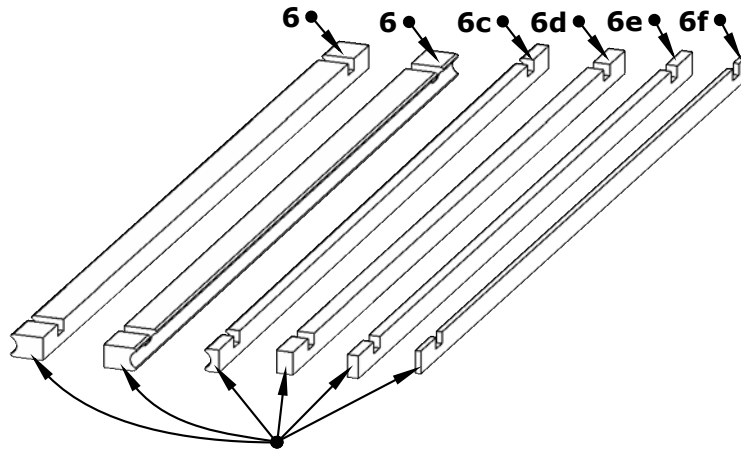


Use rubber mallet!

Solara 200GF 50D" x 81W" x 83H"

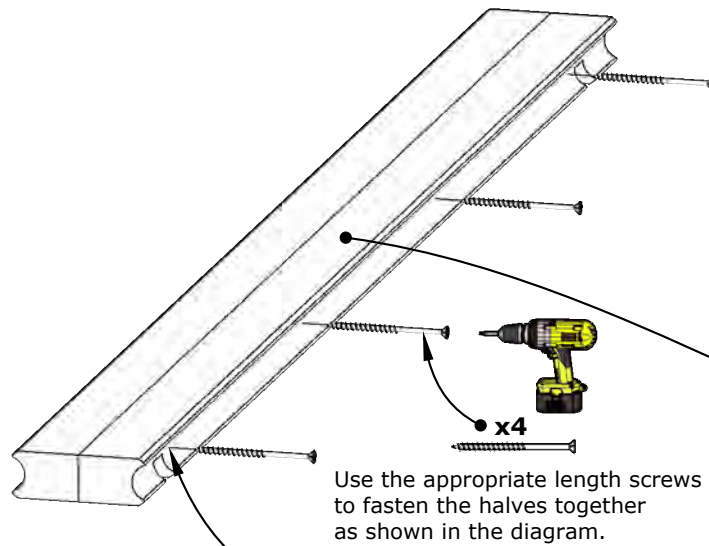
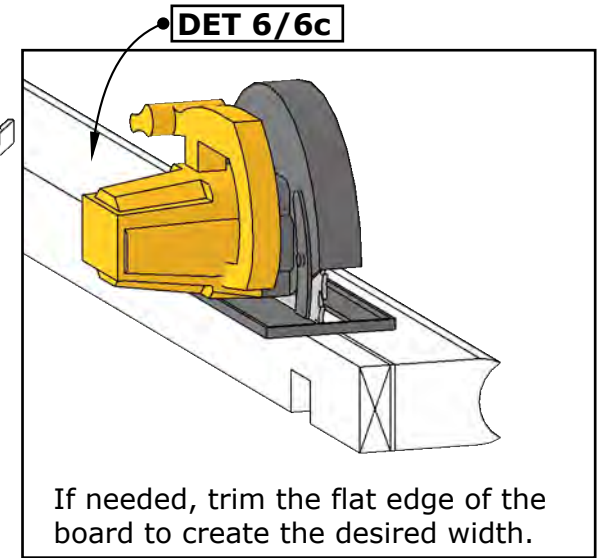


I

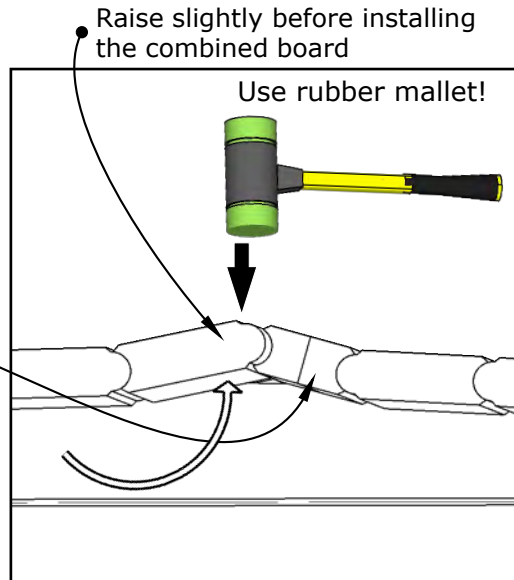


Join boards together (as shown in diagram III) that will bridge the width of the "A" gap. It is recommended that the combined boards are approximately 1/4" wider than the gap.

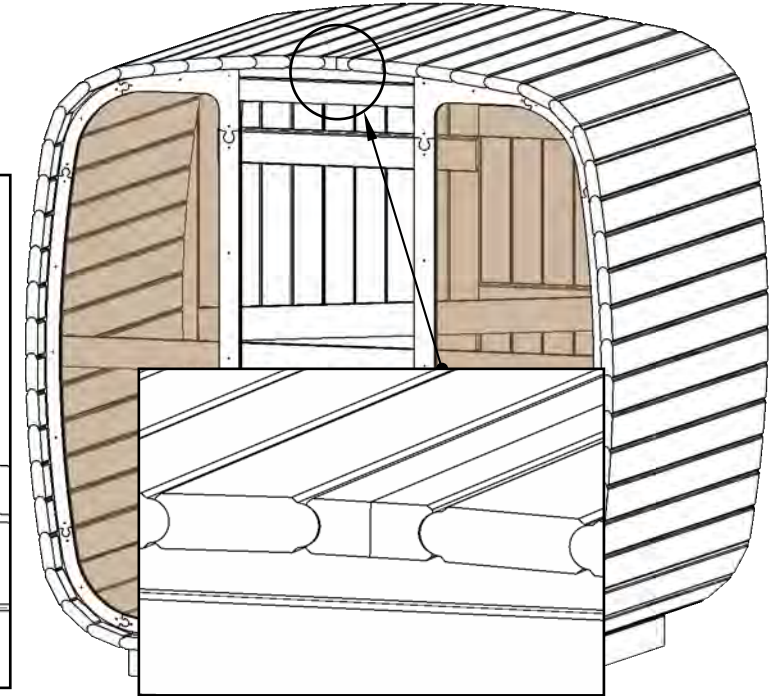
II



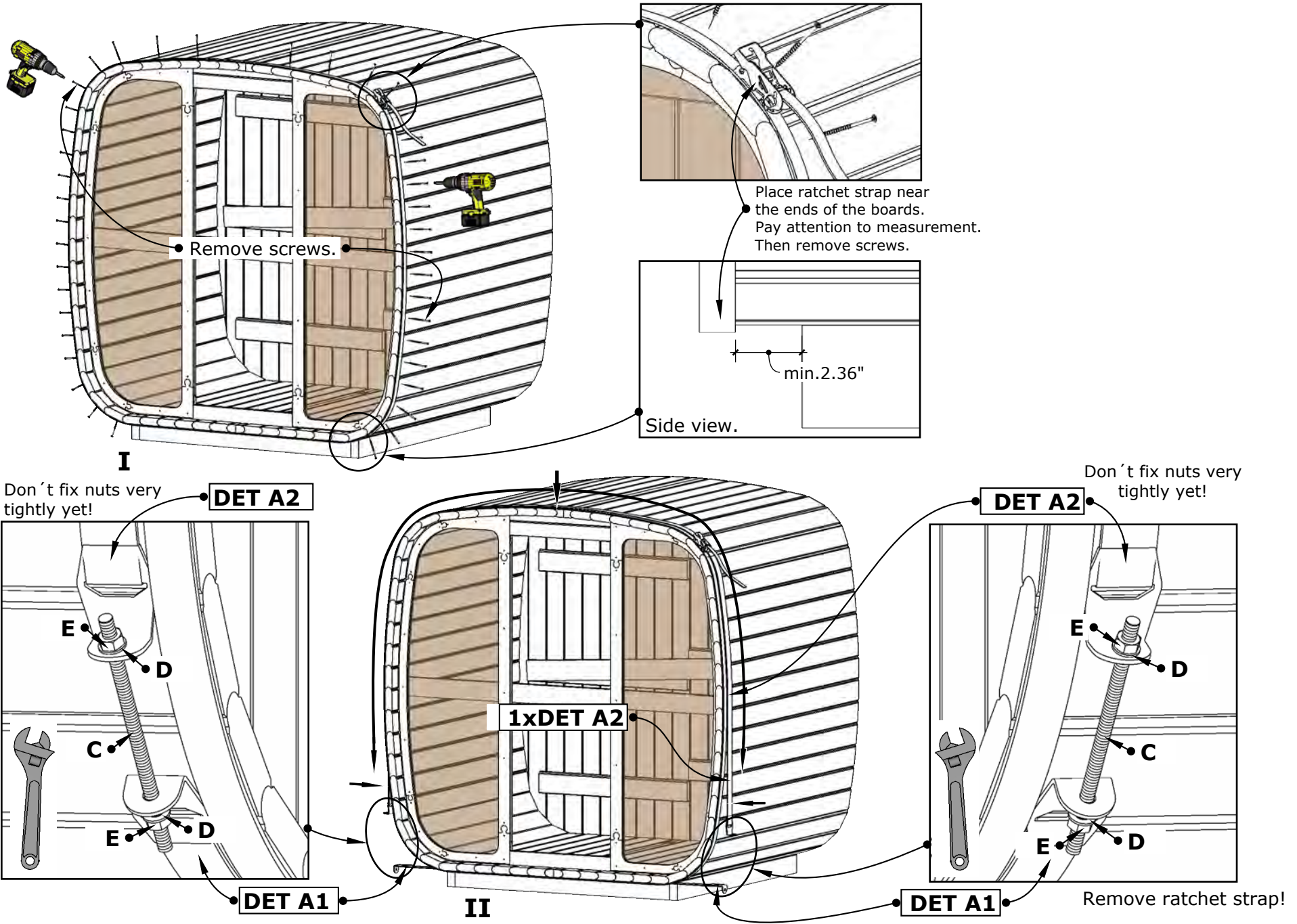
III



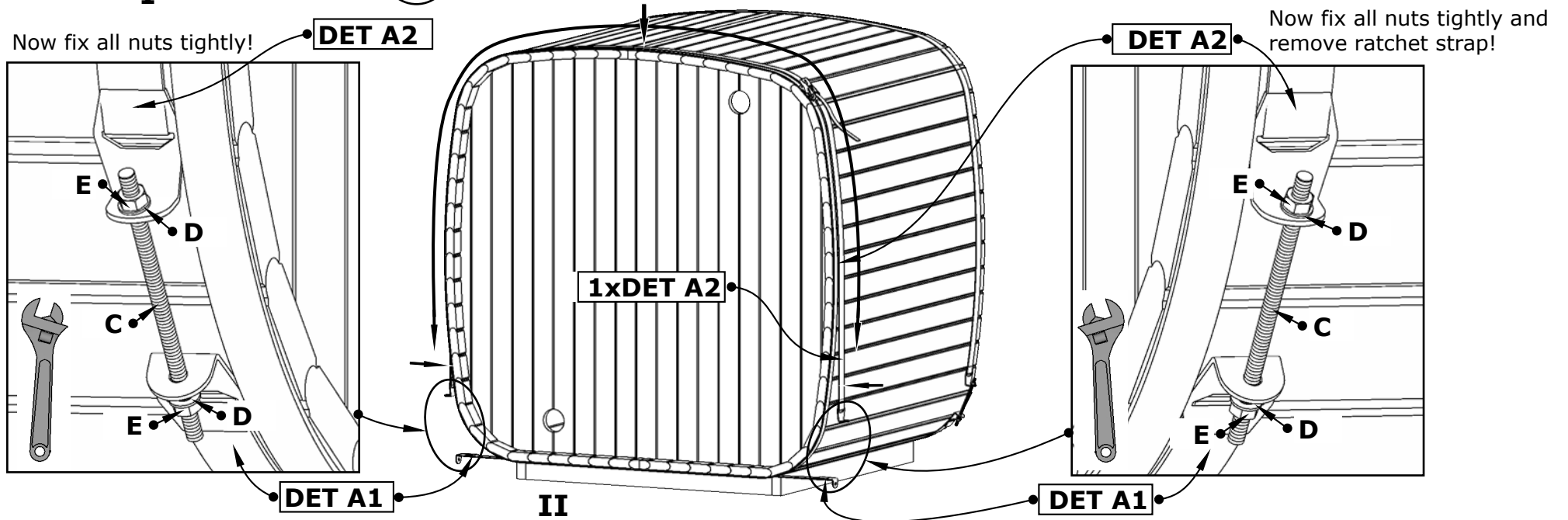
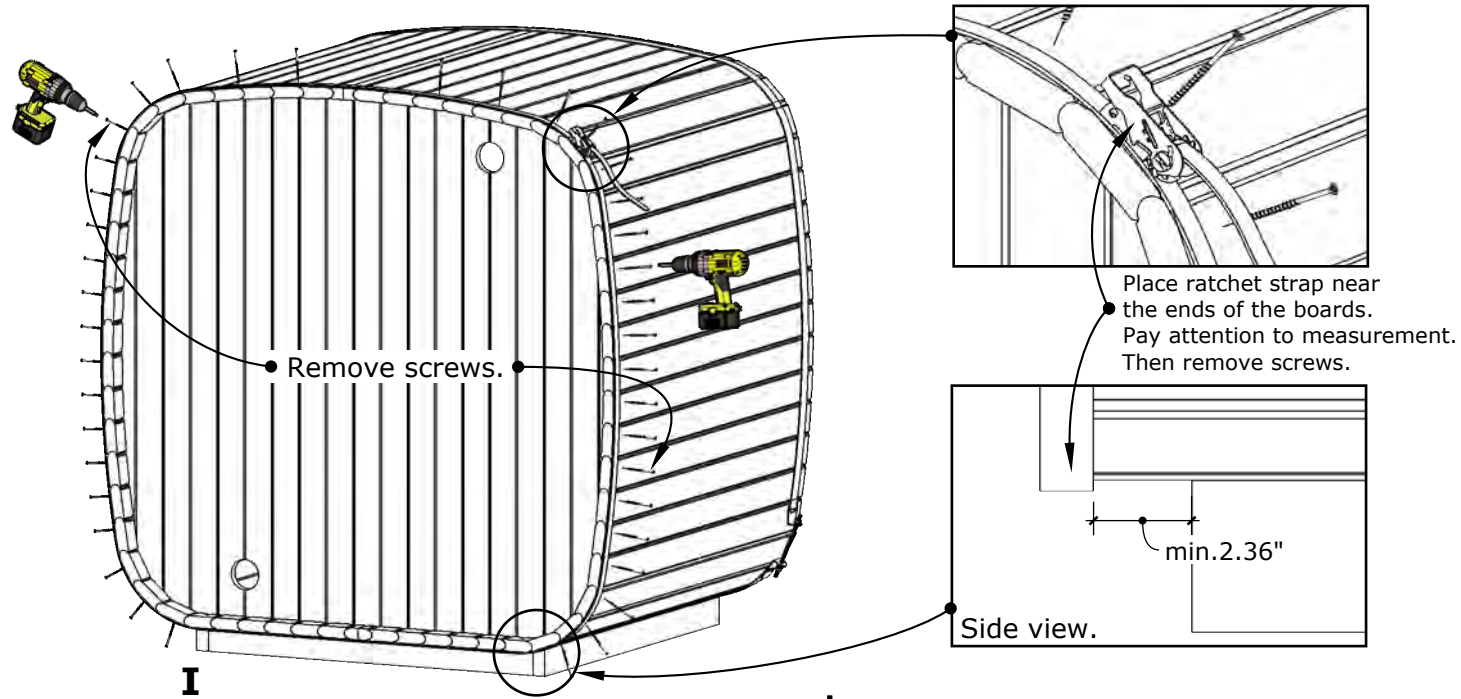
IV



Solara 200GF 50D" x 81W" x 83H"

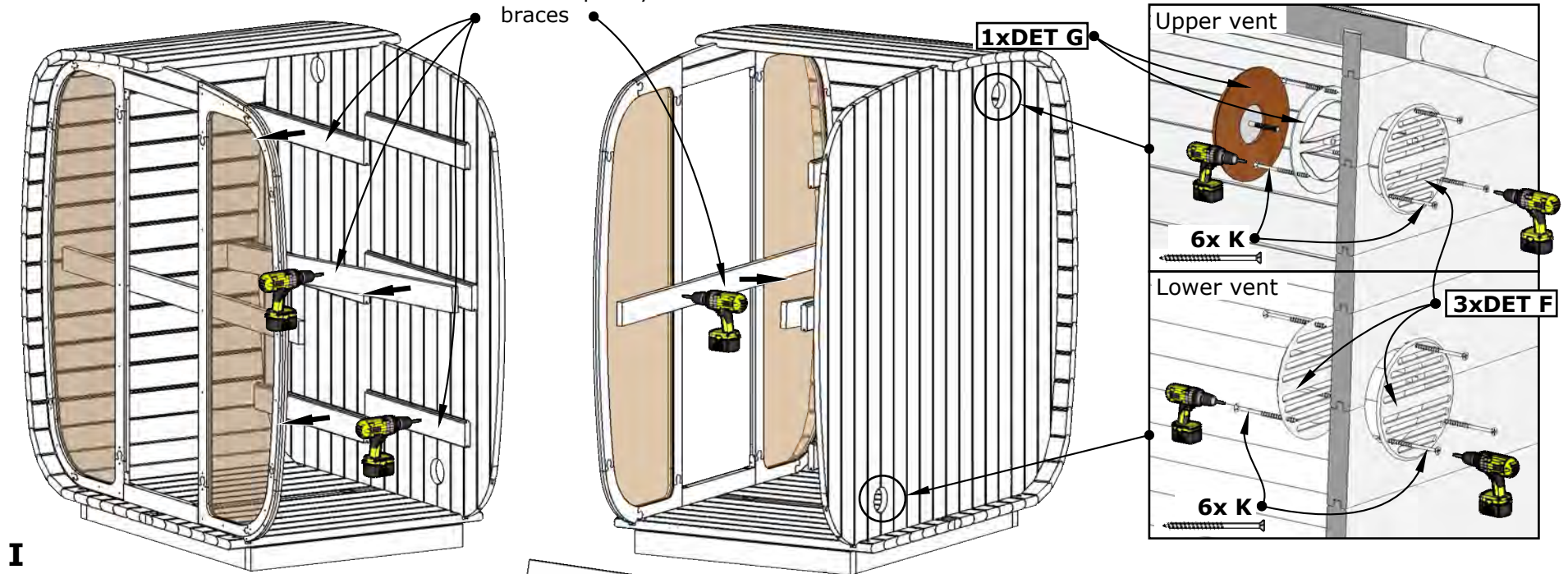


Solara 200GF 50D" x 81W" x 83H"

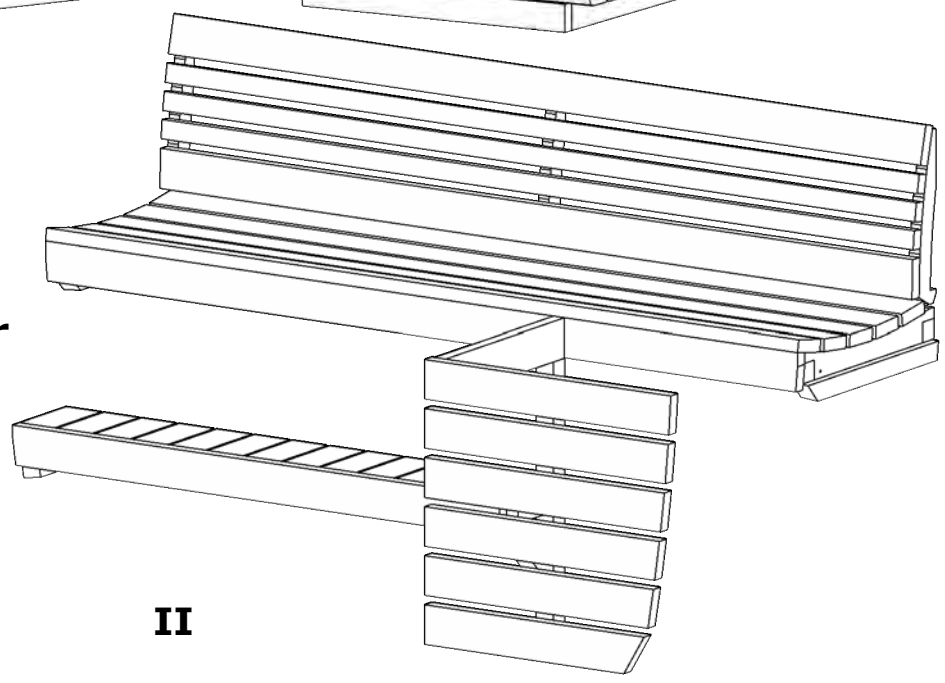


Solara 200GF 50D" x 81W" x 83H"

Remove all temporary braces

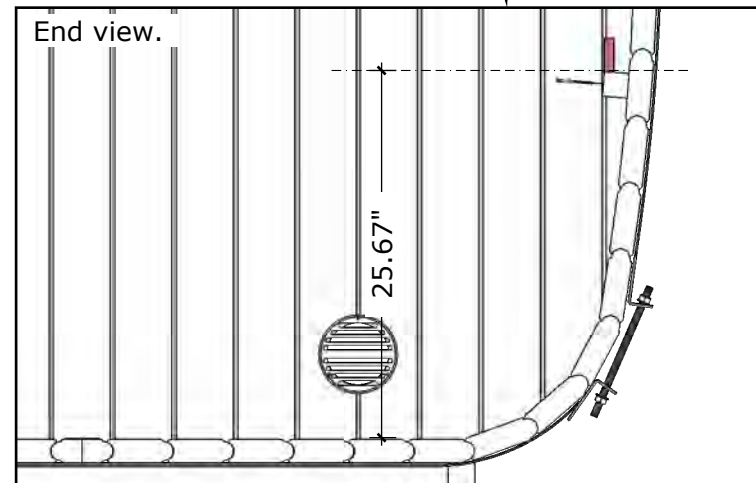
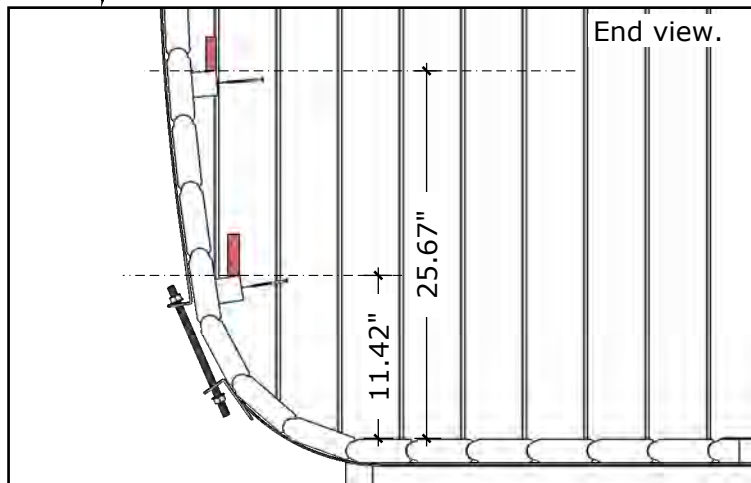
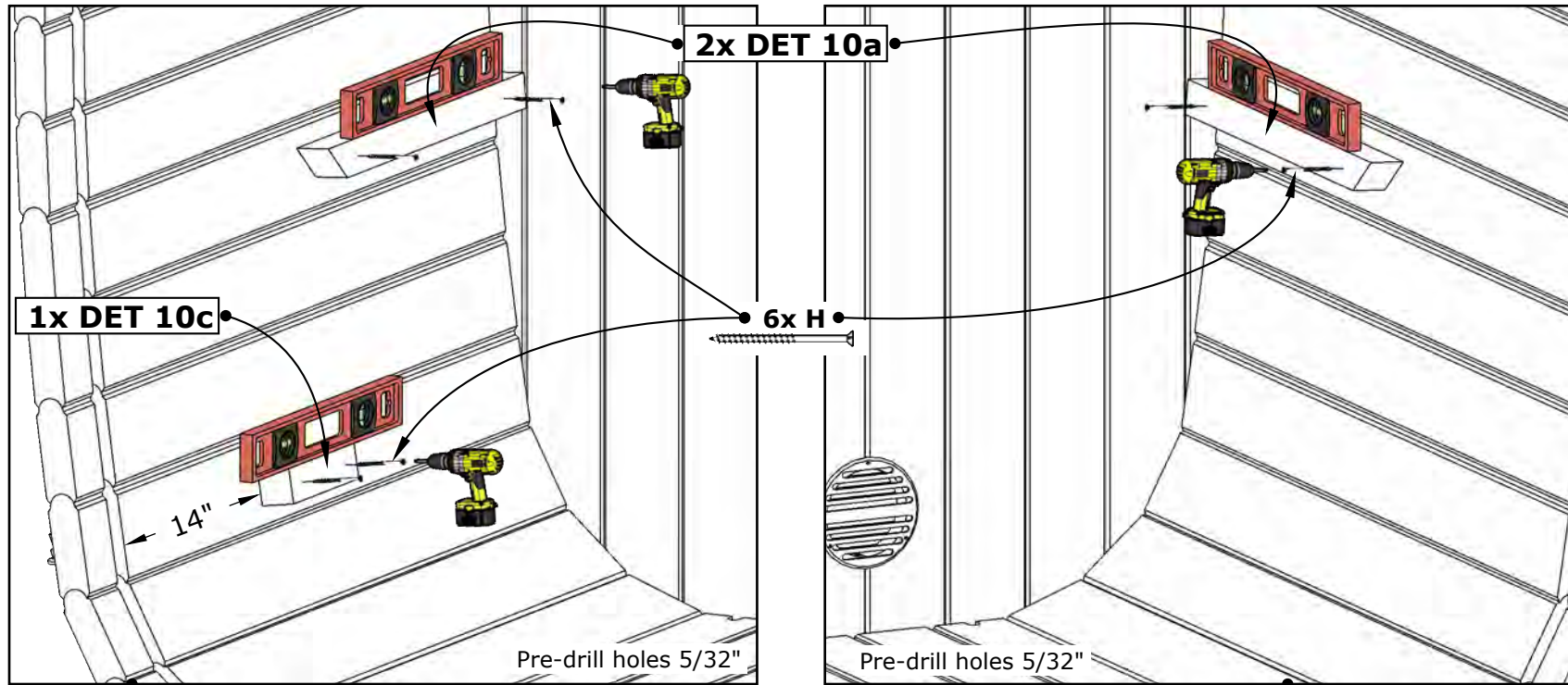


Interior

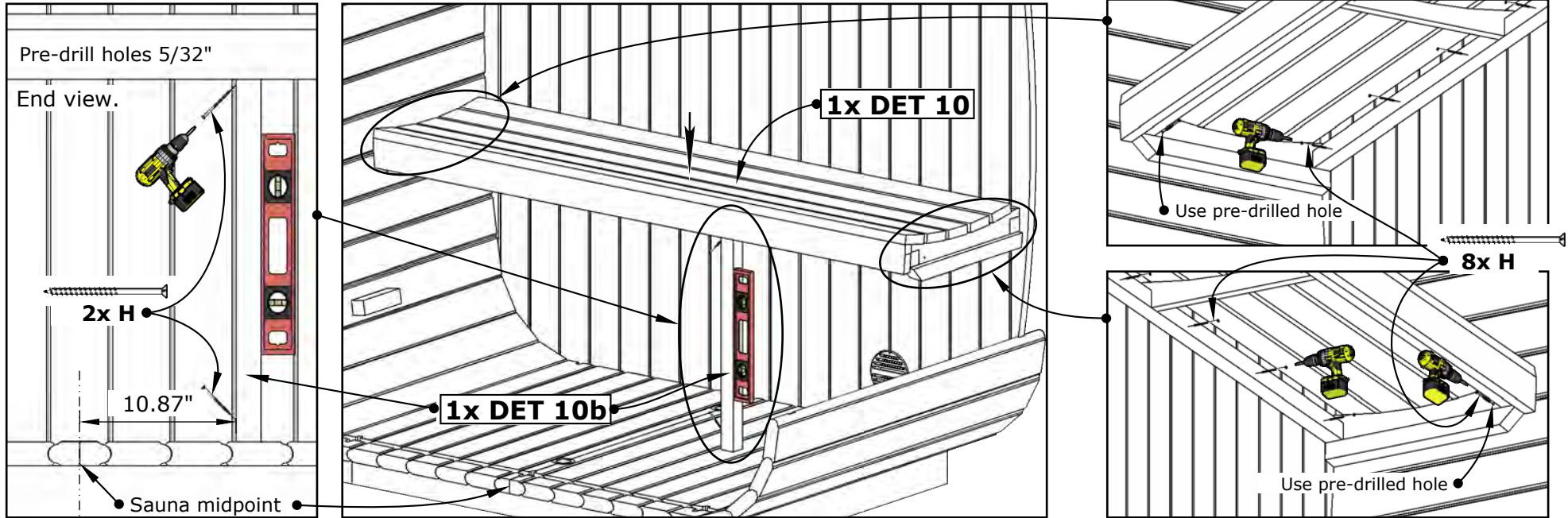


Solara 200GF 50D" x 81W" x 83H"

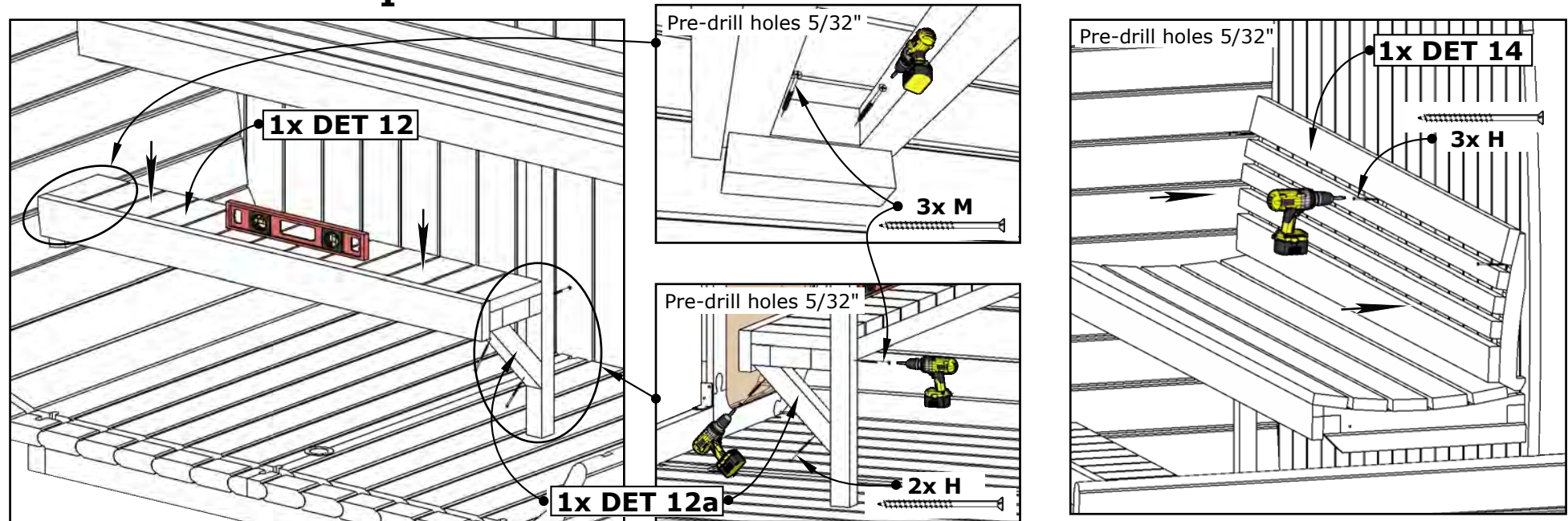
Use waterlevel for installation!



Solara 200GF 50D" x 81W" x 83H"



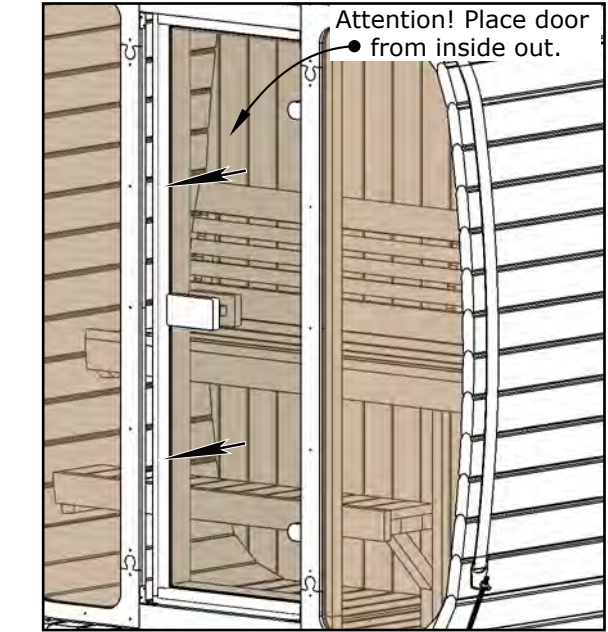
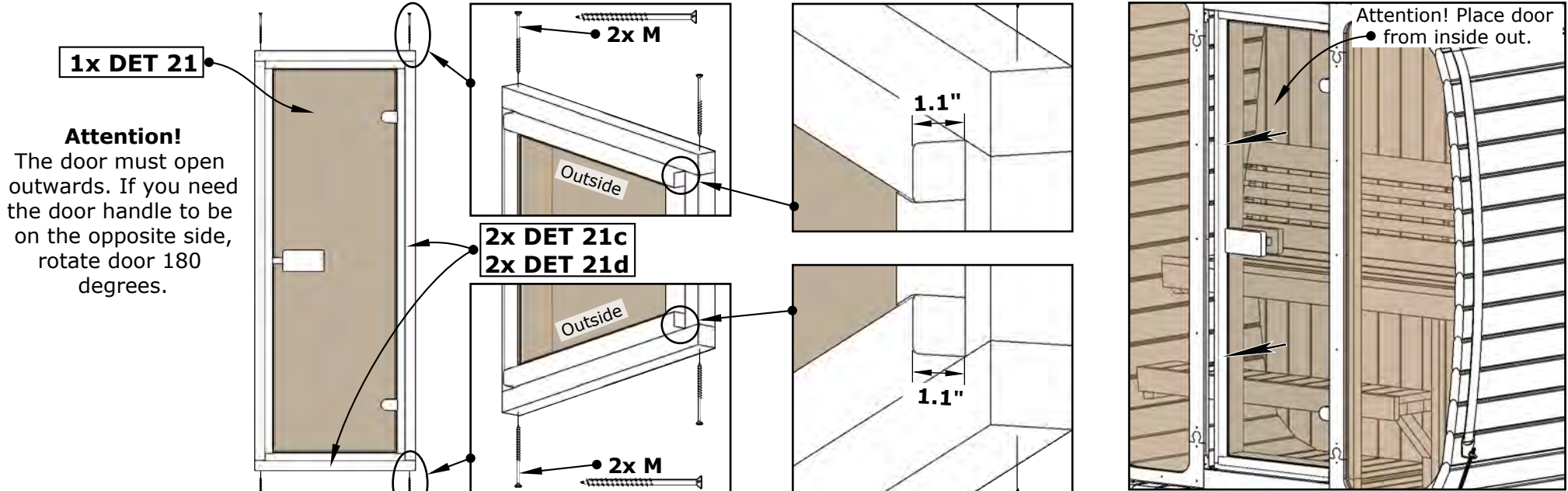
I



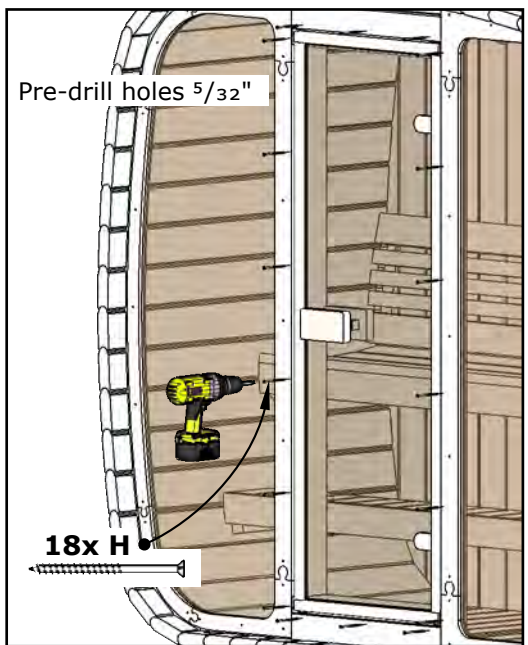
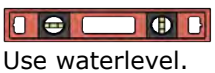
II

III

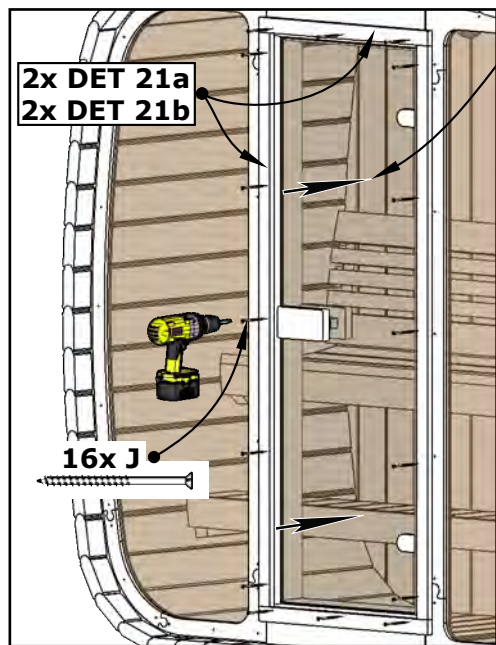
Solara 200GF 50D" x 81W" x 83H"



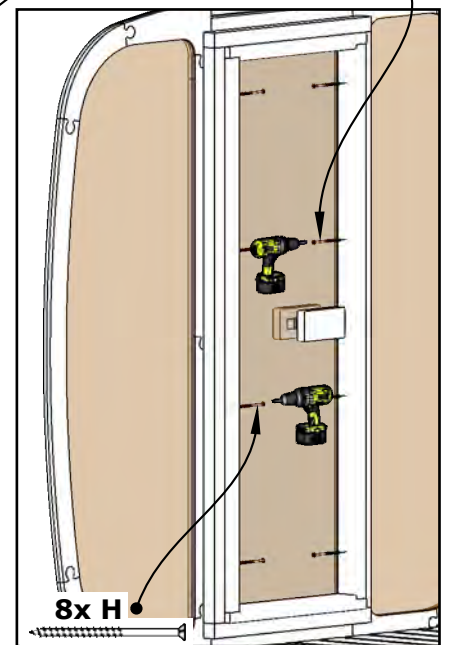
II Ensure door frame is pressed tightly against the wall and fasten from inside.



III



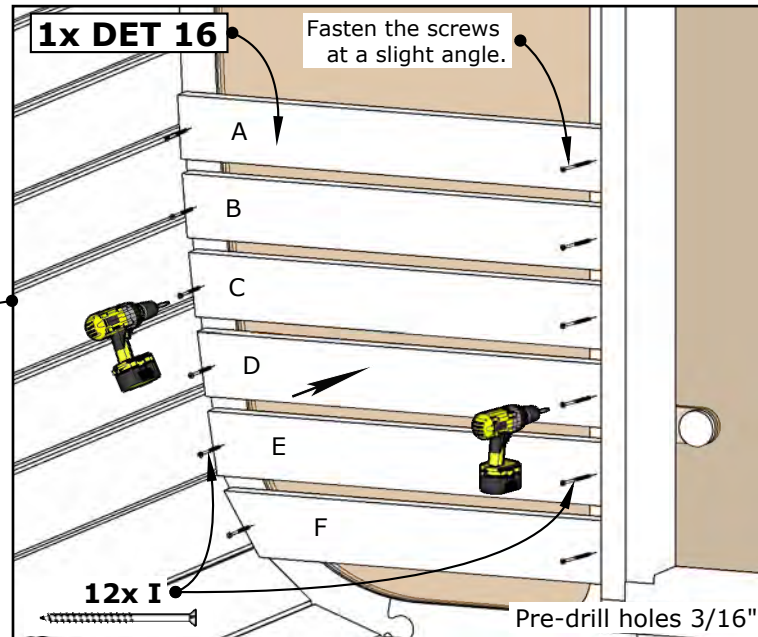
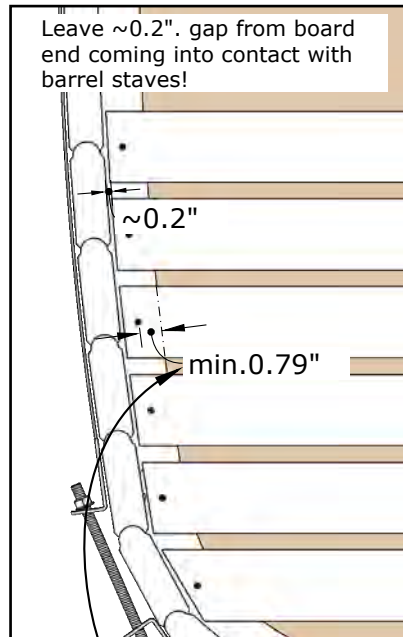
IV



V

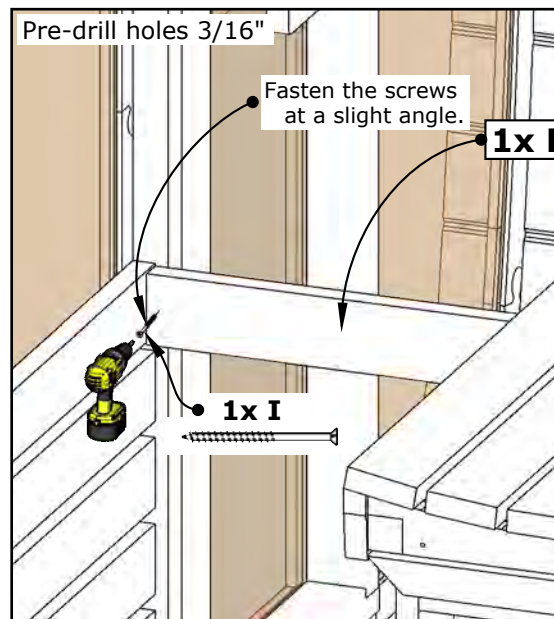
Solara 200GF 50D" x 81W" x 83H"

Please be careful!!! Do not hit the glass with the screw.

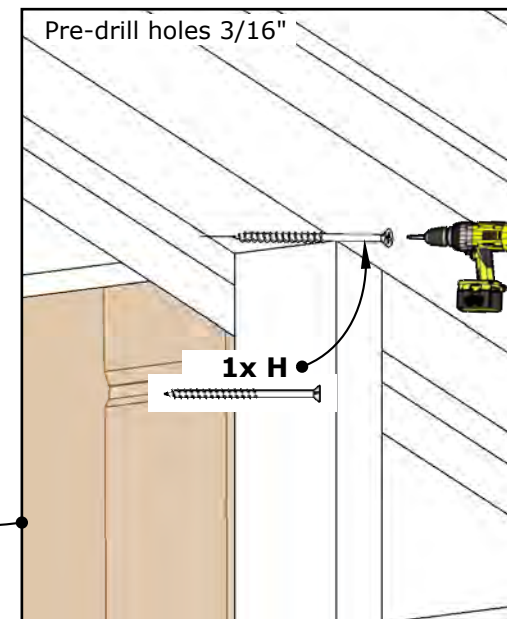
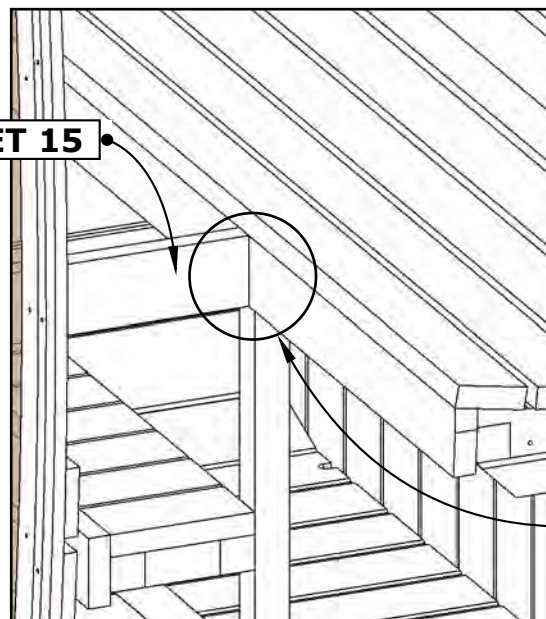


Please be careful!!! Do not hit the glass with the screw.

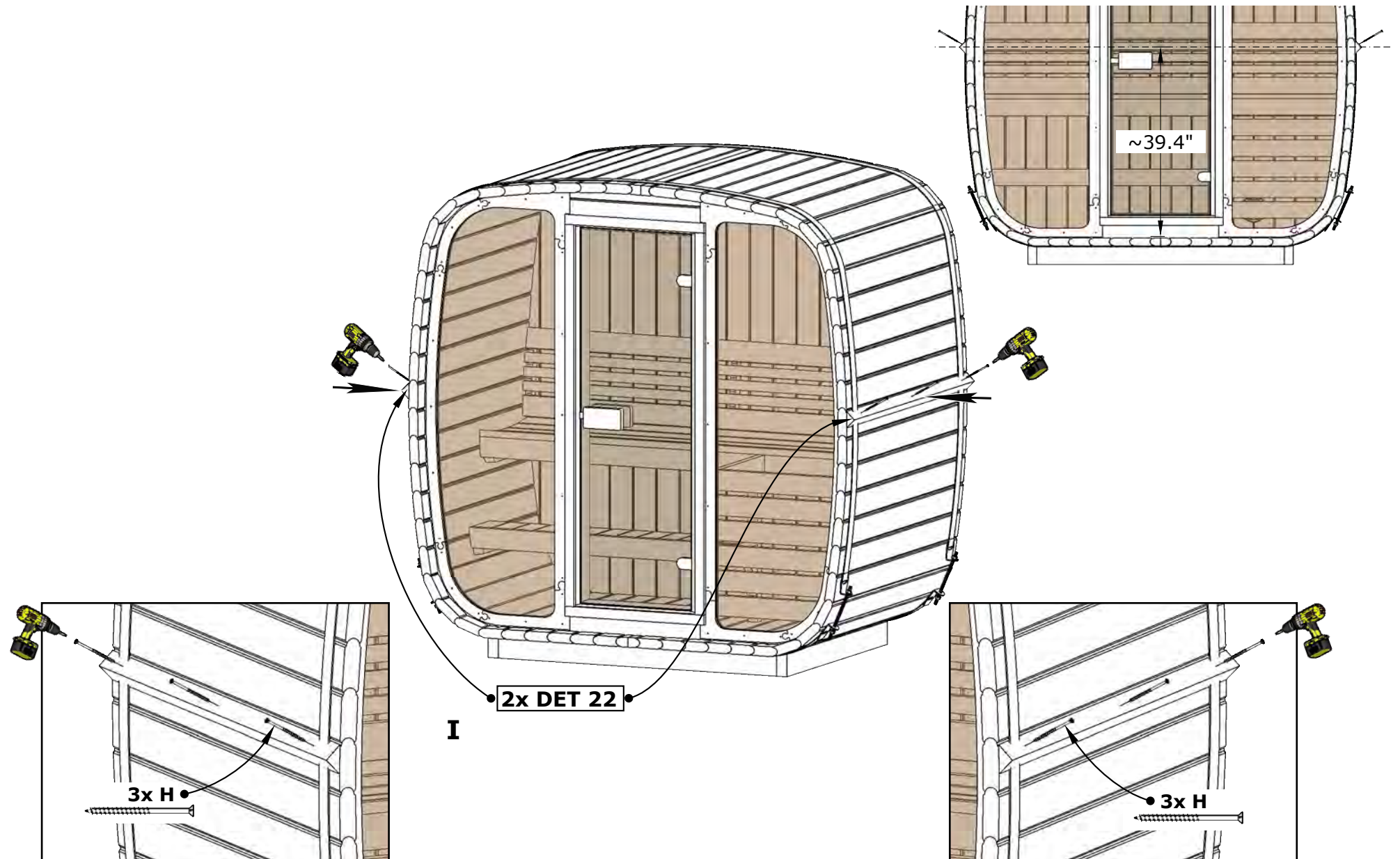
I



II



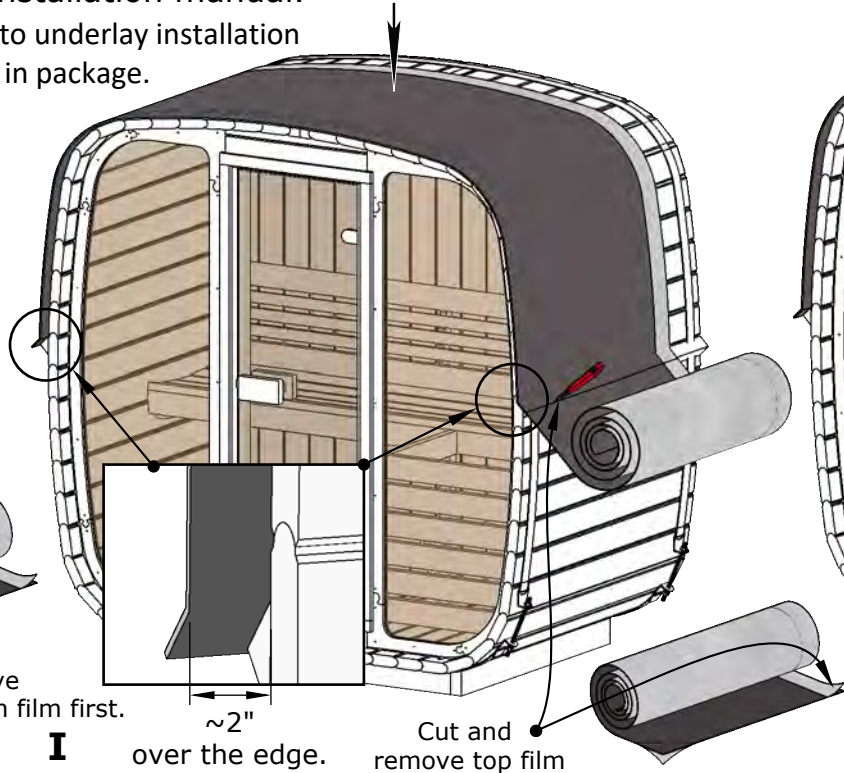
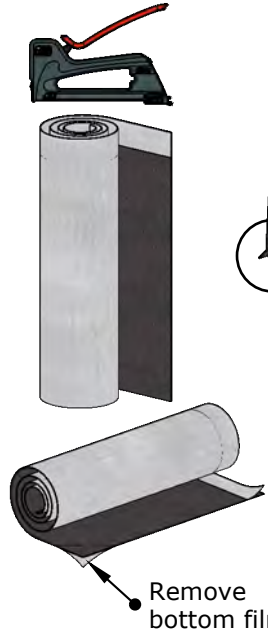
Solara 200GF 50D" x 81W" x 83H"



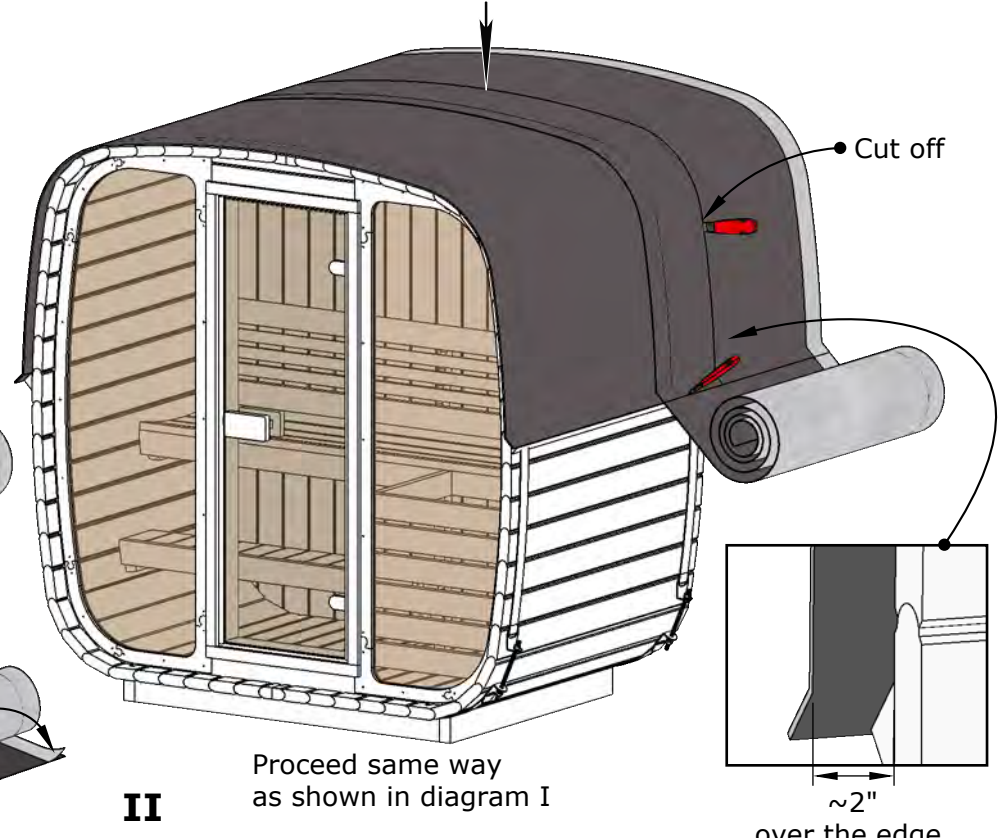
Solara 200GF 50D" x 81W" x 83H"

Underlay felt installation manual.

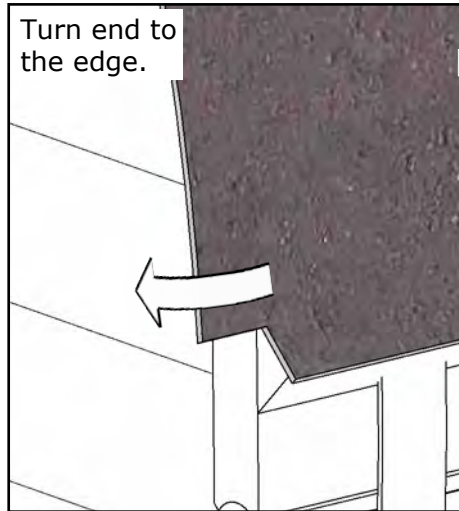
Attention! Refer to underlay installation manual provided in package.



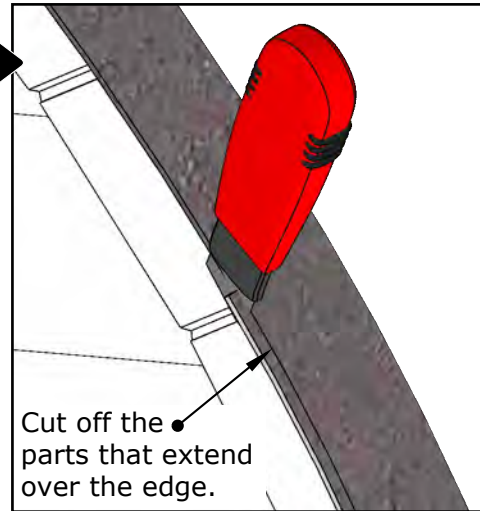
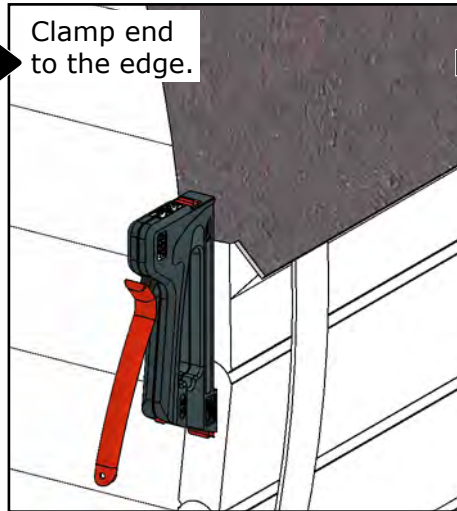
I



II

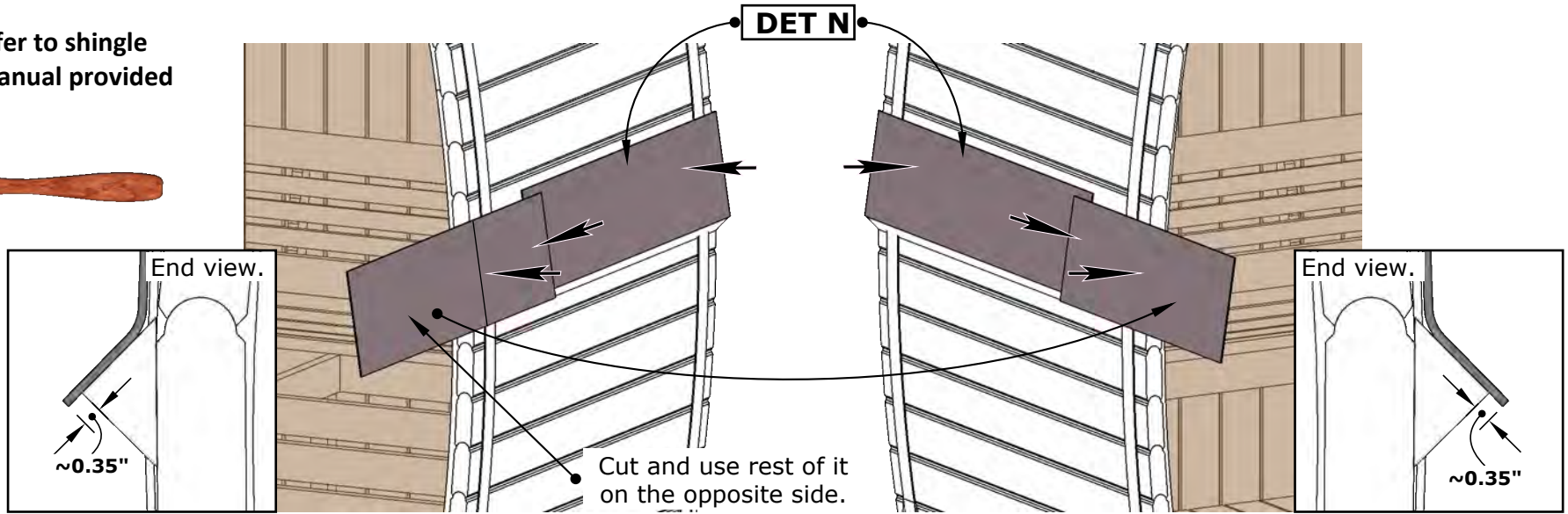


III

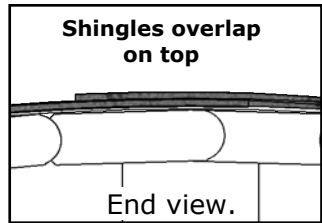


Solara 200GF 50D" x 81W" x 83H"

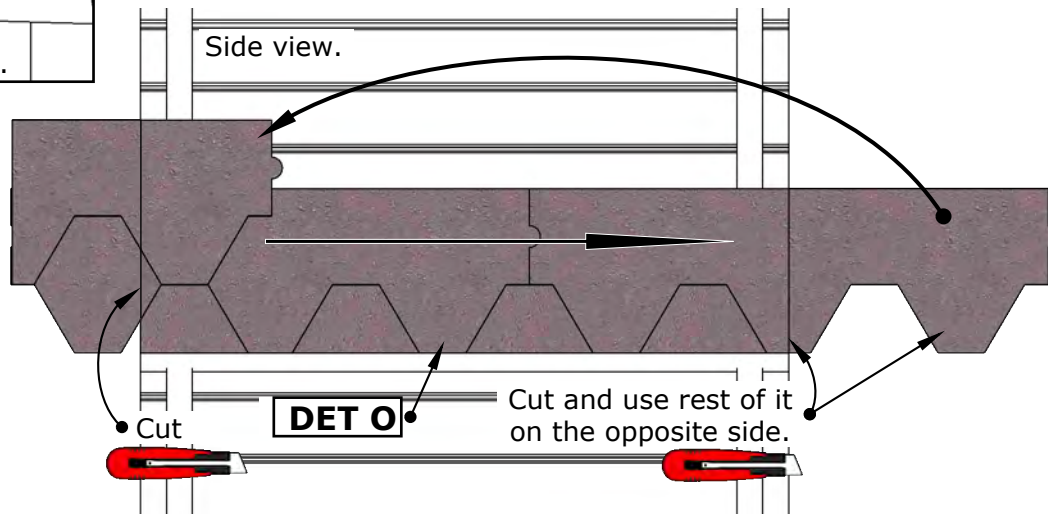
Attention! Refer to shingle installation manual provided in package.



I

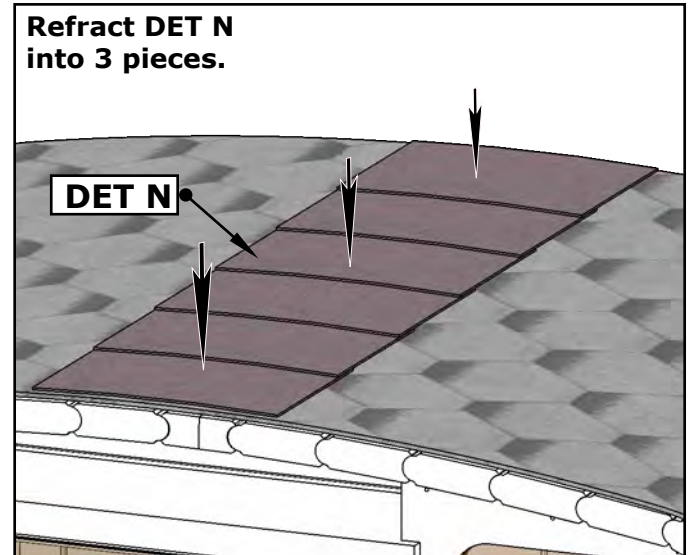


Attention! Refer to shingle installation manual provided in package.



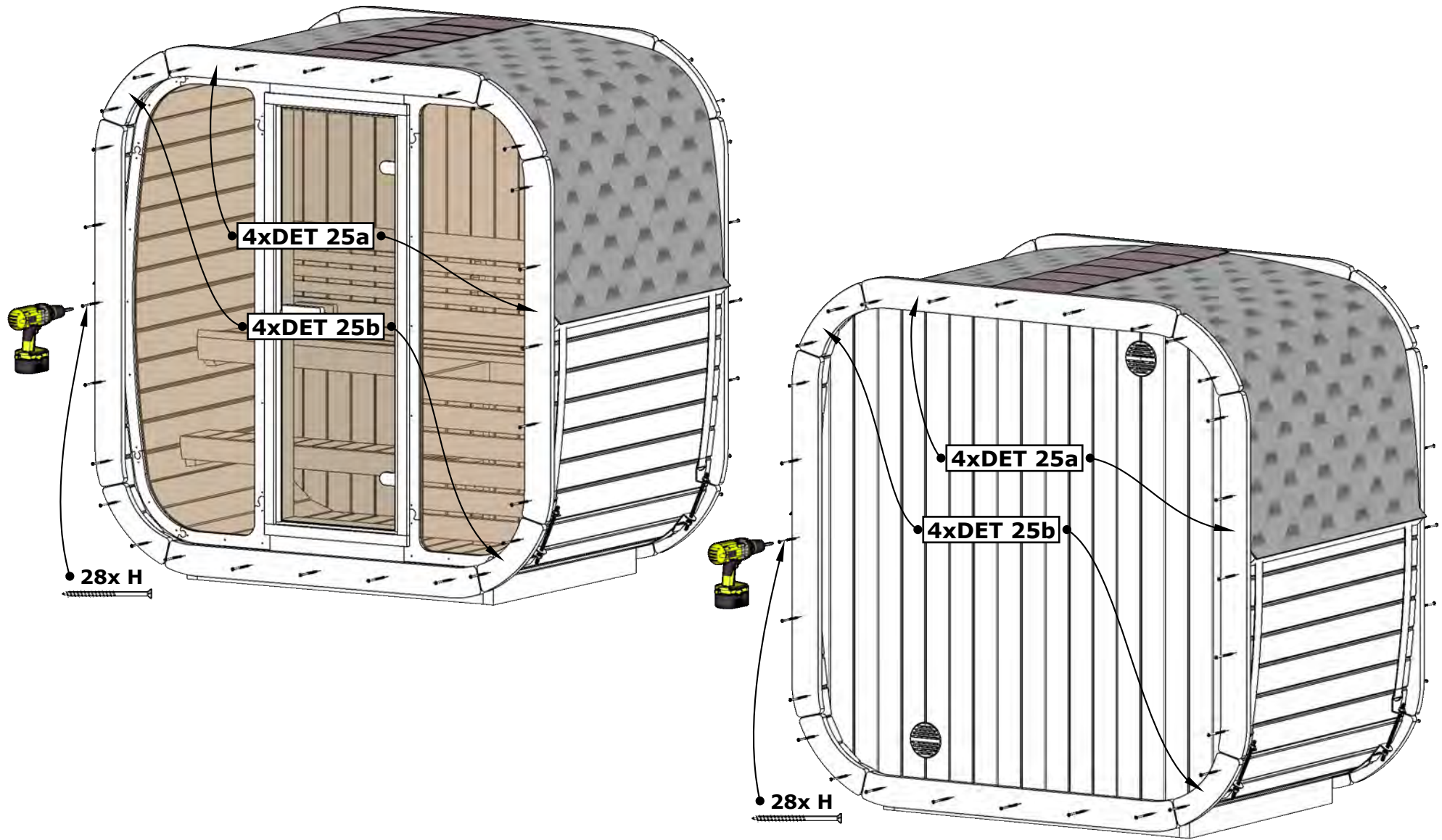
II

Attention! Refer to shingle installation manual provided in package.



III

Solara 200GF 50D" x 81W" x 83H"



Installation Instructions

When building a wooden product, it is important to follow all installation instructions to ensure the quality and durability is guaranteed.

Important!

Identification number of the Product / Serial Number: **123456789**

Must be accompanied by the serial number to identify the product.

General Installation

- **Careful handling:** Treat all wooden parts with care during assembly to avoid scratches or friction.
- **Level foundation:** Ensure the sauna sits on a stable, level foundation for proper door and window operation. Ensure the base has enough stability to support the sauna.
- **Proper drainage:** Avoid constant water exposure to wooden materials.
- **Electrical and plumbing:** Hire qualified professionals for electrical work, including heater and lighting installation.
- **Wood treatment:** To ensure optimal performance and longevity of your Sauna, proper wood treatment is crucial. We strongly recommend treating all wooden components with a wood preservative. This includes unfinished skirting boards, if applicable, which should be treated immediately upon assembly.

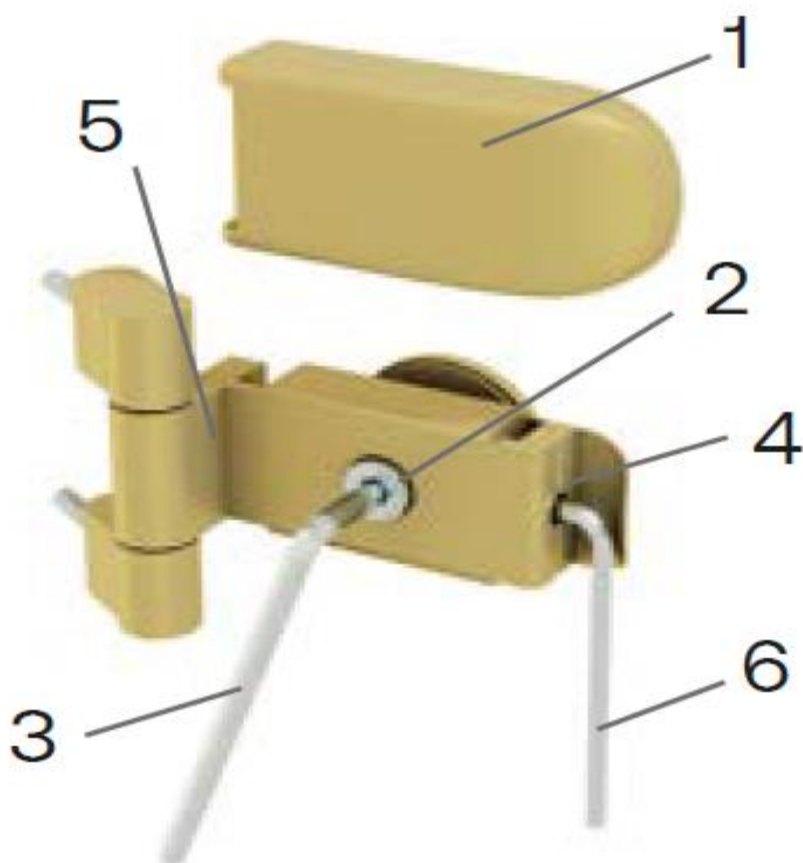
Wood Characteristics in Saunas

- **Natural changes:** Wood is a natural material that may crack or warp slightly due to temperature fluctuations. This is normal in saunas with extreme temperature and humidity changes.
- **Deformation factors:** The risk of wood deformation depends on the material, usage intensity, and is more noticeable with wider boards.
- **Darkening wood:** Wood in areas exposed to hot steam may darken over time.
- **Wood Smell:** Thermally treated wood has a characteristic smell that diminishes over time but does not completely disappear. In a sauna, the smell weakens faster if it is heated for a long time and aired at the same time. The smell is softened by treating the wood with a suitable wood oil or wood care product. Do not wash untreated thermal wood with water, as this will make the smell stronger.

Door and Window Maintenance

- **Regular checks:** Regularly inspect window and door hinges and locks. Tighten loose components and lubricate as needed.

• DOOR ADJUSTMENT INSTRUCTIONS



- You will need 3-mm (6) and 5-mm (3) hexagon keys for adjusting the hinges. Remove the plastic covers from the hinges (1). Loosen the fixing screws (2) one turn (do not remove the glass). If needed, the door can be shimmed up a bit from here vertically. If it needs to be adjusted left or right, turn the screws (4 & 5) as required. If one screw is turned counterclockwise, the other must be turned clockwise. Make sure both screws are tight when you have completed this step. Then tighten the fixing screws (2) when adjusted.

Sauna Care Guide

Surface preparation:

- Soil underneath the sauna should be removed and replaced with a well-drained and load-bearing material.
- It is important to ensure that the surface is load bearing. In addition, it is important to inhibit the growth of vegetation beneath and around the sauna to prevent damage from moisture.
- Bring the power cable to the sauna in accordance with the heater manufacturers' manual.

During sauna use:

- When using the heater and the control unit refer to the operation manual provided by the heater manufacturer.
- Throw water only on the stones and not on the walls or the platform.
- To keep the benches looking fresh, we advise using seating pads or a towel on the bench.
- Avoid sitting on benches in wet swimwear.
- Sauna stones will naturally erode over time. Replace old stones with new ones or add new stones.
- Avoid use of non-approved cleaning agents. For example, bleach on the wood surface will discolor it.

After sauna use:

- After using the sauna, ventilate the room well to allow the surfaces to dry.
- Wipe benches with a clean, damp cloth. Keep excess water from pooling on wood surfaces. Do not use a stream of water to wash the platforms.
- After cleaning the sauna, ventilate the room and allow surfaces to dry. Remove seating pads from the benches.
- When not using the sauna, the door should remain closed.

Annual maintenance:

- The wood in the sauna should be treated with an approved cleaning solution (sauna cleaner).
- Wash all surfaces exposed to wear with a specialized sauna cleaning solution (sauna cleaner), using a soft brush and/or cloth. Follow the directions of the cleaning solution manufacturer.
- For stronger stains and soiling, the platform surface can be cleaned gently using fine-grade sandpaper. The platform or sanded surface should then be re-treated with protectant.

Avoid the following:

- Drying textiles such as carpets and clothing etc. as this may pose a safety hazard. Excessive moisture may also damage the surface of the wood.
- Do not heat the sauna to a temperature beyond the specifications of the heater manufacturer. Excessive heat may cause the wood to warp or pose a safety hazard.
- Avoid pressure washing or using a stream of water to clean the sauna, as excess moisture may permanently damage the wood surface and structures.



FINSAUNA SAUNA LIMITED WARRANTY

Finsauna extends this Limited Warranty solely to the original retail consumer purchaser of Finsauna products purchased from one of its authorized resellers.

LIMITED SAUNA WARRANTY

Finsauna warrants that its products shall be free from defects in workmanship under normal conditions of use and service for two years for residential applications after delivery to the original retail purchaser. This warranty is limited to making good any factory assembled component which in the judgment of Finsauna is deemed defective in workmanship. The warranty does not cover normal material wear, abuse, natural weathering of the lumber, or installation or delivery of components and applies only to the original retail purchaser.

WARRANTY PERFORMANCE

For any warranty service, Finsauna reserves the right to choose, at its option, repair of the problem or a replacement of the defective part. Finsauna reserves the right to substitute a part or component of equivalent value, either new or factory reconditioned, and any such repair or replacement shall assume as its warranty only the remaining portion of the warranty on the original product. In the event Finsauna chooses to repair any malfunction or defect covered by this warranty, a return authorization will be issued, and the component will be returned prepaid freight to Finsauna for repair of the defect. Finsauna will then ship the component back to the original retail purchaser upon completion of the repair. Prior to any return, contact Finsauna at: Finsauna, 511 Glenn Avenue, Wheeling, Illinois 60090, telephone number: (800) 957-2862, for packaging and shipping instructions and a return authorization number. In addition, Finsauna will require photographs of any defect and reserves the right to inspect or designate an agent to inspect any part that is claimed to be defective and covered by this warranty. Labor charges and related expenses for removal, installation, or replacement of the product or component are not covered under this warranty. Normal wear and tear, cosmetic issues or changes to individual pieces of lumber due to natural aging and weathering are not covered.

ACTS INVALIDATING WARRANTY

This warranty is void if the Finsauna product has been subject to alteration, misuse or abuse, commercial use, or if any repairs on the sauna are attempted by anyone other than an authorized representative of Finsauna. Alteration shall include, but is not limited to, deviation from the original assembly instructions, component change, or the addition of any non-approved device or heating system, which contributes to a component or unit failure, or unsafe operating system. Use of equipment in an application for which it is not designed will void this warranty. This includes, but is not limited to, damage caused by operation above safe operating temperatures, damage caused by added components, damage caused by harsh chemicals, damage caused by movement of the product, and damage caused by acts of God.

DISCLAIMERS

The Warranty does not cover naturally occurring and expected characteristics of wood materials (differences in wood grain, knots, slight variations in tone) and phenomena that occur naturally during use of the Product (shrinkage and expansion due to temperature and humidity, moderate deformation) and the visual disturbances they may cause, nor defects (including transport damage) that would have been detectable by visual inspection prior to installation of the Product. Except as expressly provided above, Finsauna makes no other representation or warranty, express or implied, either in fact or operation of law, statute, or otherwise, and Finsauna specifically disclaims any and all implied or statutory warranties, including warranties or merchantability and of fitness for a particular purpose. Finsauna shall not be liable for loss of use of the Finsauna product or other incidental or consequential costs, expenses, or damage, which may include but are not limited to, the removal of or reinstallation of a wall, deck or other fixture, water leakage, costs of shipping or packaging, applicable taxes, or the payment of any costs or expenses of disassembly, removal, or reinstallation of the product or any part. Your rights may vary from state to state. Under no circumstances shall Finsauna or its representatives be held liable for injury to any person or damage to any property, however arising, even if caused by the Finsauna Sauna or its representatives' negligence. No distributor, salesperson, dealer, retailer, or other representative of Finsauna has the authority to alter or change these warranties either orally or in writing.

FINSAUNA[®]

Finsauna is a Bathing Brands company © Bathing Brands, Inc 2024